

# Innovative solutions for modern workspaces



“The world over, work dynamics includes people, place and purpose.

What brings all these together is, not surprisingly, the furniture.

When furniture solutions are aptly designed to suit people, place and purpose, it is then that the transformation happens.

Functionality is multiplied, efficiency is boosted, convenience is increased, space is optimized, aesthetics are augmented... and standards are raised.

Be it seating, desking, storage or modular workstations, when it comes to transforming workplace dynamics, our range is the definitive standard.”



# Talk Green. Walk Green.

At Godrej Interio, it is our belief that 'Green' is not just a good way to go, it is the ONLY way to go.

All our products are designed for a variety of work styles that are inclusive of, and have regard and respect for our environment.

Every product you see here embodies in its design and construction, our deepest belief and firm resolve to live in sync with nature even in the course of work.



# CONTENTS

## DESKING

Premium Suites  
Executive Series  
Office Desks  
Conference Tables  
Training Tables  
Reception  
Cafeteria and Breakout Areas  
Education Furniture

## OPOS

Mobile Systems  
Tile Based Systems  
Desk Based System

## HEALTHCARE

## INTERIORS

## SEATING

Leather and Leatherette Chairs  
Mesh Back Chairs  
Cushion Back Chairs  
Training Room Chairs  
Multipurpose  
Cafeteria/ Breakout Seating  
Public Seating  
Lounge Seating  
Auditorium Seating

## STORAGE

Aisle and Back Storage  
Display Storage  
Personal Storage  
Conventional Storage  
High Density Storage

## LAB

## COLOUR SWATCH



DESKING

# Premium Suites

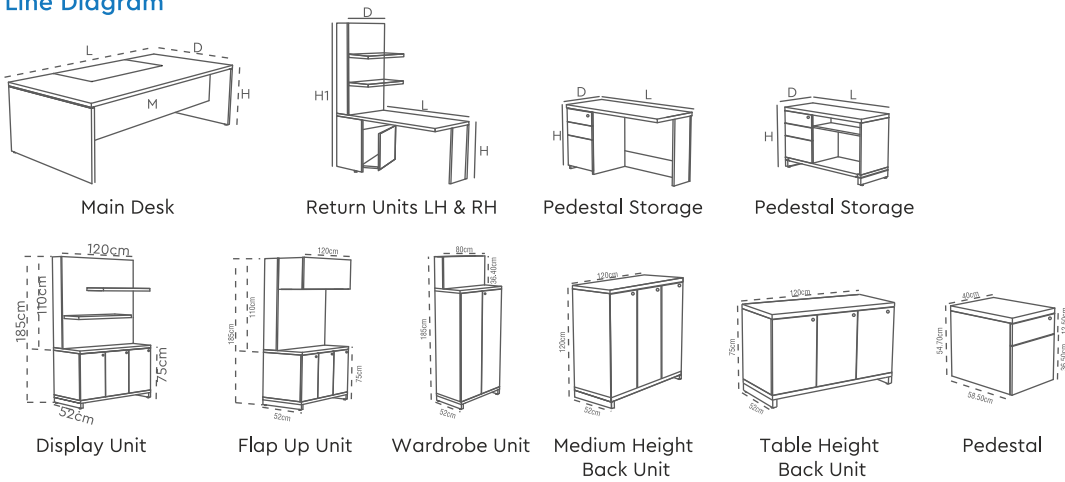
DESKING/Premium Suites/**Coeval**



**Features:**

- High gloss PU finished panels with toughened streak glass modesty for main desk
- Multiple options in return units for varied user preferences
- Push-to-open mechanism for all drawers
- Multiple storage options provided in the form of return units, back units, storage units and pedestal

**Line Diagram**



**Specification**

Model	Length	Depth	Height
Main Desk option 1	240	105	75
Main Desk option 2	210	90	75
Return Unit 700D	202	70	185
Return Unit 550D	150	55	75
Independent Low Height Return Unit	120	52	75
Display Unit	120	52	185
Flap Up Unit	120	52	185
Wardrobe unit	80	52	185
Medium Height Back Unit	120	52	120
Table Height Back Unit	120	52	75
Pedestal	40	58.50	54.70

All sizes in CM

**Colour Swatch**



White

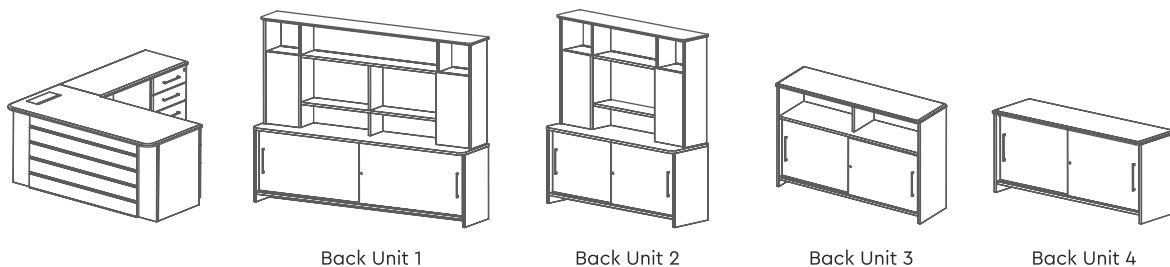
## DESKING/Premium Suites/**Aristo**



### Features:

- Softened corners ensure comfort and convenience
- Chamfered edge offers user comfort while working
- A simple horizontal line pattern and dark wood grains redefine elegance
- The soft close sliding doors, with aluminium handles for back units ensure ease of operation

### Line Diagram



### Specification

Model	Length	Depth	Height
Main Table +	165	195	75
Eru With Pedestal	180	210	75
	210	225	75
	235	235	75
Main Table + Eru (W/o Eru Pedestal)	165	165	75

Model	Length	Depth	Height
Back Unit 1	235	50	180
Back Unit 2	165	50	180
	180	50	180
Back Unit 3	165	50	115
	180	50	115
	235	50	115
Back Unit 4	165	50	75
	180	50	75
	235	50	75

### Colour Swatch



Membrane  
in Tobacco  
Ash + Black

All sizes in CM



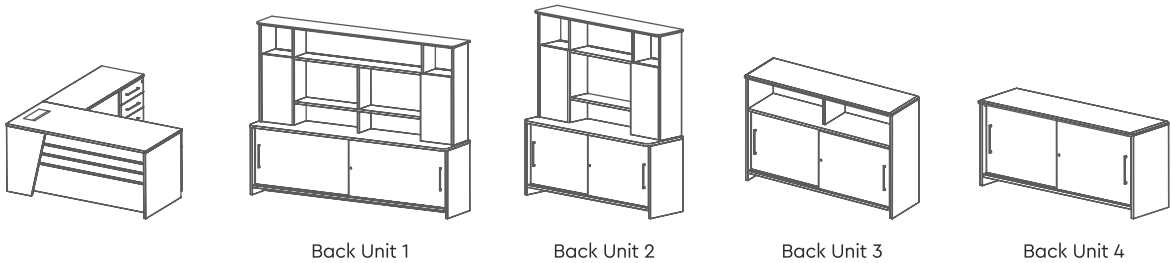
## DESKING/Premium Suites/Topaz



### Features:

- Clean lines and surfaces enhance the overall look, blending well with raw wood grain and aesthetic door handles
- Simple geometric lines throughout the panel with optimum use of lighter shades, highlight neatness
- A unique pattern on the fascia and modesty panel ups the style quotient

### Line Diagram



### Specification

Model	Length	Depth	Height
Main Table + Eru With Pedestal	165	195	75
	180	210	75
	210	225	75
	235	235	75
Main Table + Eru (W/o Eru Pedestal)	165	165	75

Model	Length	Depth	Height
Back Unit 1	235	50	180
Back Unit 2	165	50	180
	180	50	180
Back Unit 3	165	50	115
	180	50	115
	235	50	115
Back Unit 4	165	50	75
	180	50	75
	235	50	75

### Colour Switch



Membrane  
in Tiepolo PC +  
Frosty White

All sizes in CM

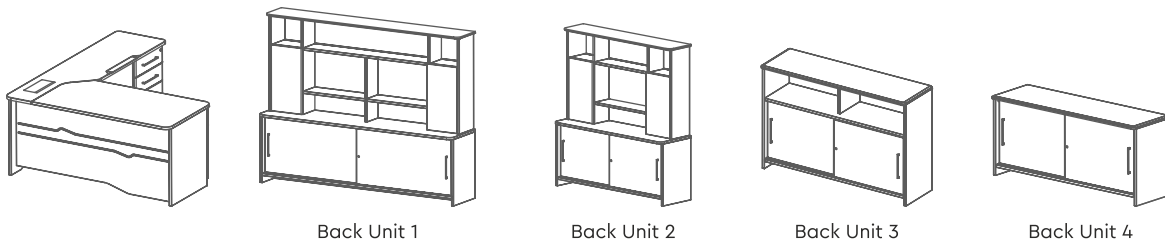
## DESKING/Premium Suites/**Cignus**



### Features:

- Inspired by the grace of Swan the flowing design of return unit blends seamlessly into the main table  
The contrasting colors aesthetically highlight the same
- The flowing lines continue on the modesty with a slanted cut to the panel that perfectly complements the return unit

### Line Diagram



### Specification

Model	Length	Depth	Height
Main Table + Eru With Pedestal	165	195	75
	180	210	75
	210	225	75
	235	235	75
Main Table + Eru (W/o Eru Pedestal)	165	165	75

Model	Length	Depth	Height
Back Unit 1	235	50	180
Back Unit 2	165	50	180
	180	50	180
Back Unit 3	165	50	115
	180	50	115
	235	50	115
Back Unit 4	165	50	75
	180	50	75
	235	50	75

### Colour Swatch



Membrane  
in Nova Magnolia  
+ Noce Versalis

All sizes in CM

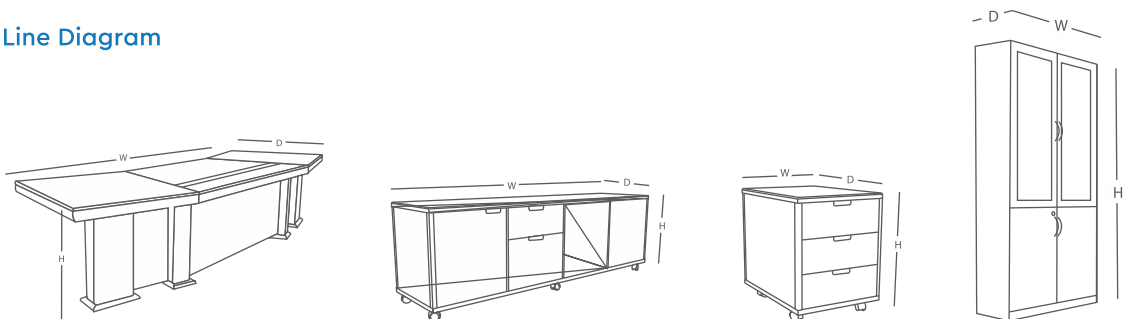
## DESKING/Premium Suites/Arrive



### Features:

- An all Veneer Desk, it shows off status and luxury
- The softness of the Italian black leather is combined with the rigidity of square table-board, tempering force with grace
- The sleek design with smart case-space slides effortlessly in style
- Perfect for storing all your files and papers. Keeps your desk clutter free

### Line Diagram



### Specification

Model	Length	Depth	Height
Main Desk	360	108	75
Mobile Cabinet	190.70	48	55
Pedestal	48	64	54.60
Back Unit	100	48	204

All sizes in CM

### Colour Swatch



Walnut  
Veneer

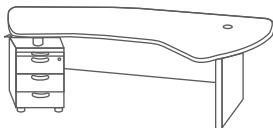
## DESKING/Premium Suites/**Numero Uno**



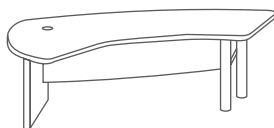
### Features:

- It includes Executive Desk, Mobile Pedestal, Side Unit with Pedestal and a Credenza
- Contoured edge profile for enhanced aesthetics
- Top profile which has a conferencing edge facilitates impromptu meetings
- Sliding stationary tray for enhanced convenience
- Ample storage and display space in Credenza and Pedestal

### Line Diagram



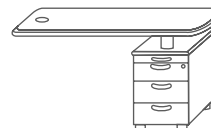
Executive Desk



Executive Table



Mobile Pedestal



Side Return Unit



Credenza

### Specification

Model	Length	Depth	Height
Executive Desk	220	119	75
Executive Table	220	119	75
Mobile Pedestal	40.60	55	64
Side Return Unit	138	48	70
Credenza	241	425	121.50

All sizes in CM

### Colour Swatch



Mahogany

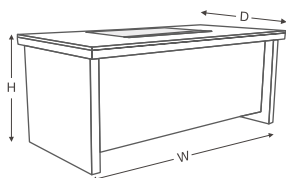
## DESKING/Premium Suites/**Impress**



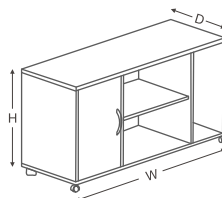
### Features:

- Veneer finish for premium aesthetic
- Leather pad ensures comfort while working and reduces wear and tear of the work top
- Provision for wire management ensures a clutter-free desk
- Side Unit can be placed on either side of the user and has ample storage space

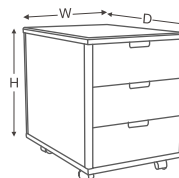
### Line Diagram



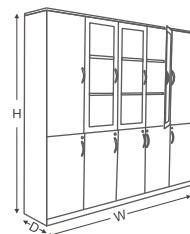
Executive Desk



Mobile Side Unit



Mobile Pedestal



Credenza

### Specification

Model	Length	Depth	Height
Impress Executive Desk	180/240	90	75
Impress Mobile Side Unit	120	44	65
Impress Mobile Pedestal	44.30	51	63.50
Impress Credenza	221.10	41	200

All sizes in CM

### Colour Swatch



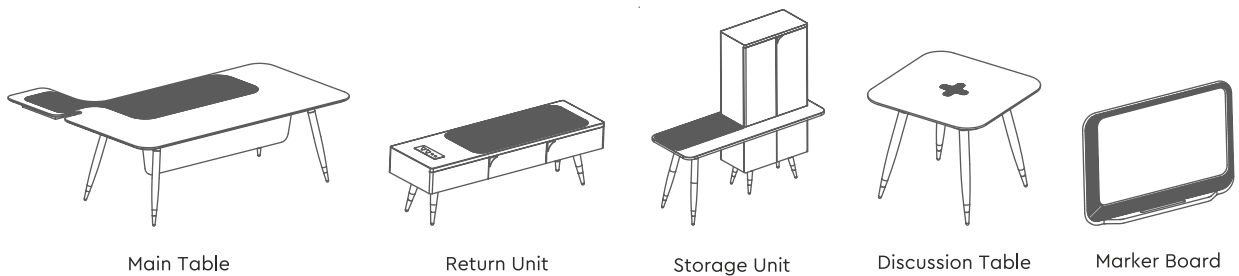
Walnut



**Features:**

- CLASSIFY: Understanding the needs, their working patterns, the gadgets they use, thereby making a design that suits them the best
- MODIFY: Modify the usual top profile to an organic one
- SUBTRACT: The fixed elements like pedestals, huge modesties were removed, leaving the main table and active workspace
- ADD: Accessories to configure a personalized exclusive workspace

**Line Diagram**



**Specification**

Model	Length	Depth	Height
Main Table	240	180	75
	210	150	75
Return Unit	145	45.20	45
Storage Unit	165	60	160
Discussion Table	90	90	75
Marker Board	103.10	9.60	69.60

All sizes in CM

**Colour Swatch**



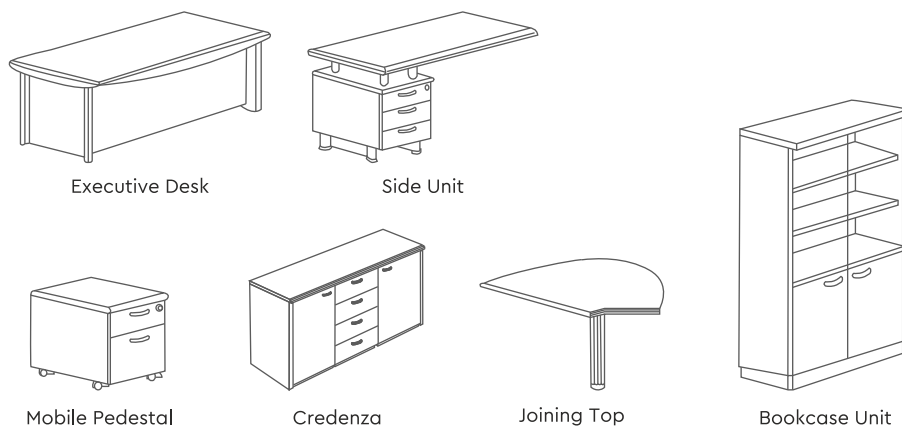
## DESKING/Premium Suites/**Maestro**



### Features:

- DUCK NOSE PROFILE EDGE: It enhances the workplace aesthetics
- SIDE UNIT WITH PEDESTAL: The extended table provides extra storage space
- JOINERY TABLE: The joinery table can be used for impromptu meetings
- HANDLES: The pedestal stand with its stylish handles adds to the aesthetic sense

### Line Diagram



### Specification

Model	Length	Depth	Height
Executive Desk	180	90	75
Credenza	140	47	76
Side Unit	120	60	73
Joining Top	105	120	75
Mobile Pedestal	40	56	56
Bookcase Unit	79	40	220

All sizes in CM

### Colour Swatch



Oxford Cherry  
with Black Joining top

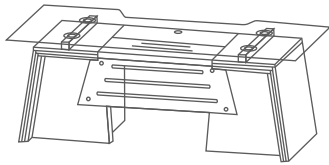
## DESKING/Premium Suites/**Duke**



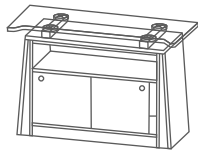
### Features:

- Duke comprises of an Executive Desk, Side Unit, Credenza and a Coffee Table
- The unique trapezoidal shape, the rich dark colour with the glass top gives Duke an aesthetic look
- The three layered construction of the work top asserts its strength
- Side Unit and Credenza with sliding doors provide for ample storage space

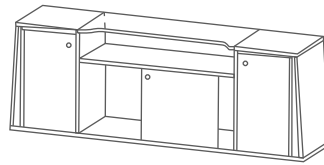
### Line Diagram



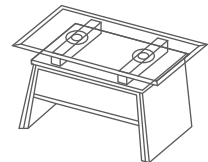
Executive Desk



Side Unit



Credenza



Coffee Table

### Specification

Model	Length	Depth	Height
Executive Desk	200	90	75
Side Unit	105	47	75
Credenza	200	47	85
Coffee Table	80	50	45

All sizes in CM

### Colour Swatch



Wenge



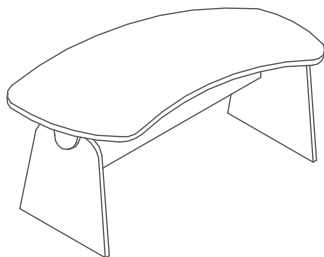
## DESKING/Premium Suites/Viva



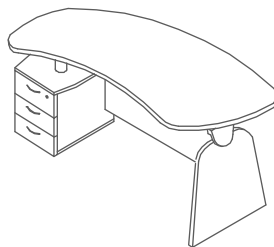
### Features:

- Contemporary curvilinear profile augments its trendy youthful design
- It comprises of an Executive Desk, Side Unit, Mobile Pedestal and Credenza

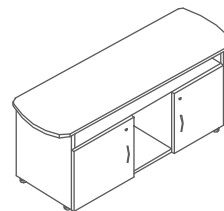
### Line Diagram



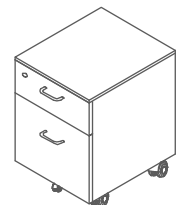
Executive Table



Side Return Unit  
with Pedestal



Credenza



Mobile Pedestal

### Specification

Model	Length	Depth	Height
Executive Table	200	100	75
Side Return Unit	138	60	75
Credenza	138	51.50	61
Mobile Pedestal	40.60	55	58.50

All sizes in CM

### Colour Swatch



Faggio Beech

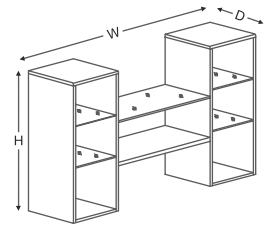
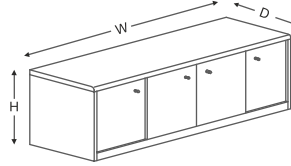
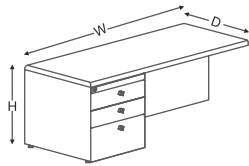
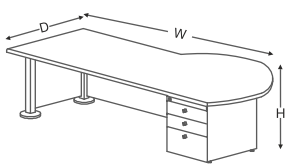
## DESKING/Premium Suites/Jefferson



### Features:

- Crafted with natural veneer
- Large curvilinear worktop facilitates quick team meetings and discussions, scratch and stain-resistant polyester finish

### Line Diagram



### Specification

Model	Length	Depth	Height
Executive Desk	240	110.40	74
Side Unit	140	58	69
Credenza	186	58	67
Tower Case	170	40	120

All sizes in CM

### Colour Swatch



Pamello Veneer  
with Black



# DESKING



## Executive Series

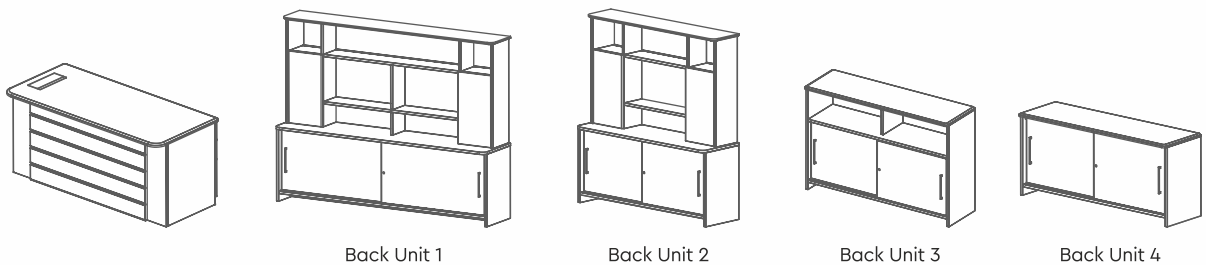
DESKING/Executive Series/**Aristo**



**Features:**

- Softened corners ensure comfort and convenience
- Chamfered edge offers user comfort while working
- A simple horizontal line pattern and dark wood grains redefine elegance
- The soft close sliding doors, with aluminium handles for back units ensure ease of operation

**Line Diagram**



**Specification**

Model	Length	Depth	Height
Main Table	165	195	75
	180	210	75
Back Unit 1	235	50	180
Back Unit 2	165	50	180
	180	50	180
Back Unit 3	165	50	115
	180	50	115
	235	50	115
Back Unit 4	165	50	75
	180	50	75
	235	50	75

All sizes in CM

**Colour Swatch**



Membrane  
in Tobacco  
Ash + Black

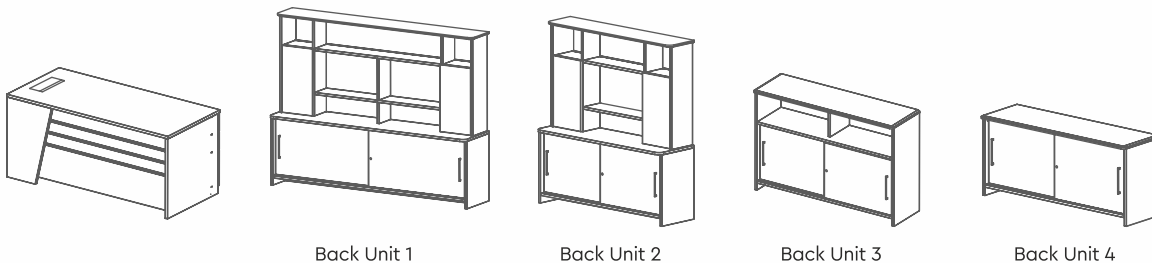
## DESKING/Executive Series/Topaz



### Features:

- Clean lines and surfaces enhance the overall look, blending well with raw wood grain and aesthetic door handles
- Simple geometric lines throughout the panel with optimum use of lighter shades, highlight neatness
- A unique pattern on the fascia and modesty panel ups the style quotient

### Line Diagram



### Specification

Model	Length	Depth	Height
Main Table	165	75	75
	180	90	75
Back Unit 1	235	50	180
Back Unit 2	165	50	180
	180	50	180
Back Unit 3	165	50	115
	180	50	115
	235	50	115
Back Unit 4	165	50	75
	180	50	75
	235	50	75

All sizes in CM

### Colour Swatch



Membrane  
in Tiepolo PC +  
Frosty White

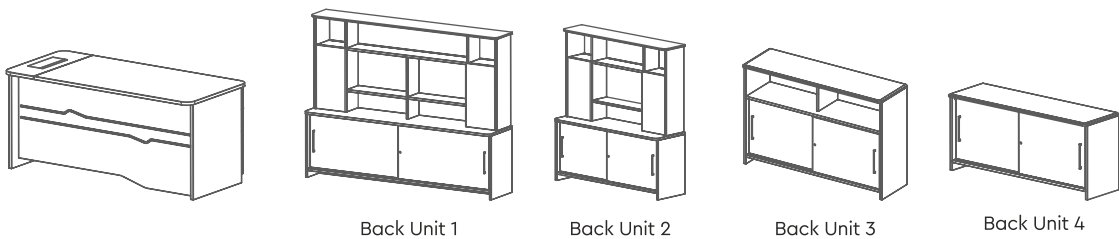
## DESKING/Executive Series/Cignus



### Features:

- Inspired by the grace of Swan the flowing design of return unit blends seamlessly into the main table  
The contrasting colors aesthetically highlight the same
- The flowing lines continue on the modesty with a slanted cut to the panel that perfectly complements the return unit

### Line Diagram



### Specification

Model	Length	Depth	Height
Main Table	165	75	75
	180	90	75
Back Unit 1	235	50	180
Back Unit 2	165	50	180
	180	50	180
Back Unit 3	165	50	115
	180	50	115
	235	50	115
Back Unit 4	165	50	75
	180	50	75
	235	50	75

All sizes in CM

### Colour Swatch



Membrane  
in Nova Magnolia  
+ Noce Versalis

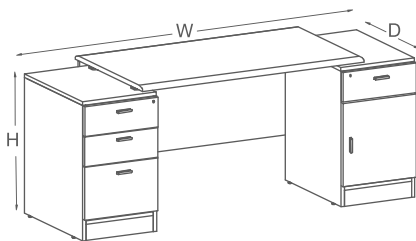
## DESKING/Executive Series/Trident Senior



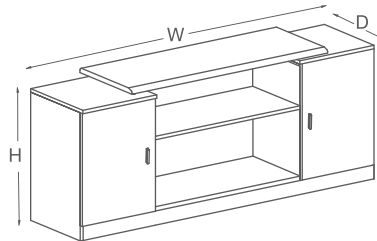
### Features:

- Floating top with rounded edges
- It comprises of an Executive Desk and Credenza with open shelf space
- The Desk Top and Credenza Top are made of medium density fibre board (MDF) with membrane foil for scratch and stain resistant work surface

### Line Diagram



Executive Desk



Credenza

### Specification

Model	Length	Depth	Height
Executive Desk	180.40	75	75
Credenza	180.40	45	75

All sizes in CM

### Colour Swatch



Wenge &  
Fusion Maple



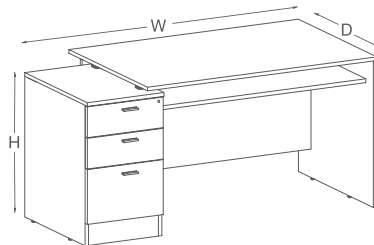
## DESKING/Executive Series/Trident Middle



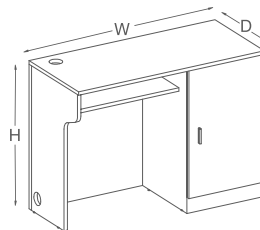
### Features:

- Compact design comprising of an Executive Desk and a Side Unit
- Has an in-built shelf below the work surface for storing documents
- The Side Unit has an in-built keyboard pullout tray
- Option of LHS and RHS configuration to suit any cabin layout

### Line Diagram



Executive Desk



Side Unit

### Specification

Model	Length	Depth	Height
Executive Desk	165	70	74.30
Side Unit	100	45	74.30

All sizes in CM

### Colour Swatch



Wenge &  
Fusion Maple

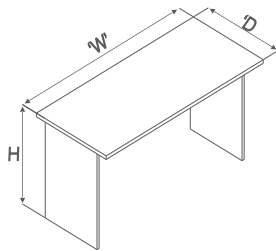
DESKING/Executive Series/**Mayfair**



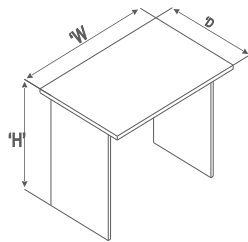
**Features:**

- Its unique mix of White Cedar and Black enlivens the ambience in your cabin
- Completes the cabin with Executive Desk, Pedestal, Side Unit and Credenza
- Neat look with grommet for wires on Executive Desk & Side Unit
- Fits into different cabin layouts due to variety of sizes

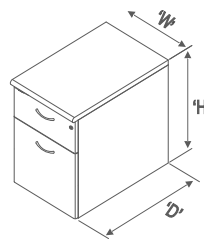
**Line Diagram**



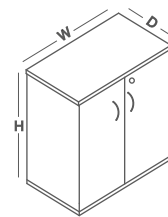
Executive Desk



Side Unit



Mobile Pedestal



Credenza

**Specification**

Model	Length	Depth	Height
Executive Desk	90	60	75
	120	60	75
	135	75	75
Side Unit	90	45	75
	120	45	75
Mobile Pedestal	39	43.50	52.90
Back Unit	75	42.50	75

All sizes in CM

**Colour Swatch**



White Cedar  
& Black

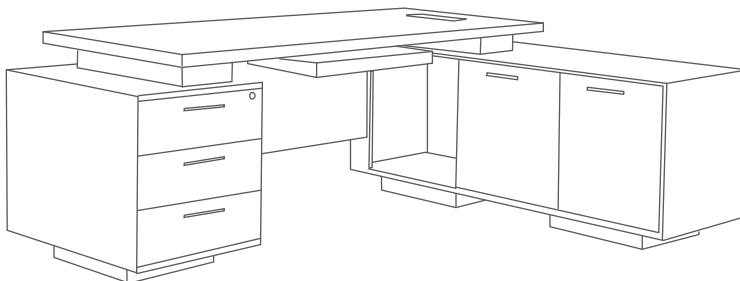
## DESKING/Executive Series/Ascent



### Features:

- Raised-leg design and floating top
- Utility tray and space for CPU for an organized workspace

### Line Diagram



### Specification

Model	Length	Depth	Height
Overall	210	72.70	76.50
Executive Desk	180	79.50	76.50
Side Unit	160	50	65

All sizes in CM

### Colour Swatch



Maple

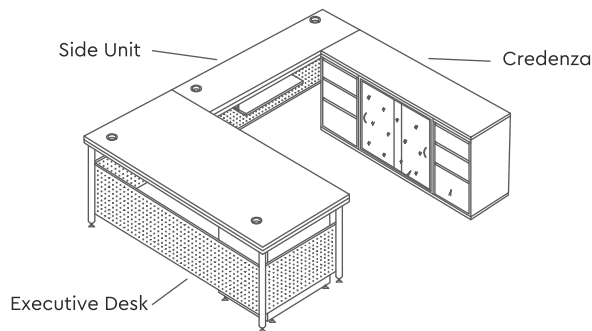
## DESKING/Executive Series/Elan



### Features:

- Vast work area to suit large offices
- Simple yet functional design to ensure comfort
- Perforated metal modesty panel in black for lighter look
- Ample storage available through the wide variety of Credenzas

### Line Diagram



### Specification

Model	VENEER			LAMINATE		
	Length	Depth	Height	Length	Depth	Height
Elan Executive Desk 1	150	75	75	150	80	75
Elan Executive Desk 2	165	88	75	180	80	75
Elan Executive Desk 3	206.20	88	75	240	80	75
Elan Side Unit 1	120	45	75	120	60	75
Elan Side Unit 2	167.50	45	75	167.50	60	75
Elan Side Unit 3	90	45	75	90	60	75
Elan Credenza 1	118.80	44	75	118.80	44.10	75
Elan Credenza 2	118.80	44	75	118.80	44.10	75
Elan Credenza 3	158	44	75	158.10	44.10	75
Elan Credenza 4	158	44	75	158.10	44.10	75
Elan Credenza 5	158	44	75	158.10	44.10	75

All sizes in CM

### Colour Swatch

#### LAMINATE



Oxford Cherry  
& Black



Nova Teak  
& Black



White Cedar  
& Black



Noce Versailles & Black

#### VENEER



White Cedar  
& Black



Teak  
& Black



American Red Oak  
& Black

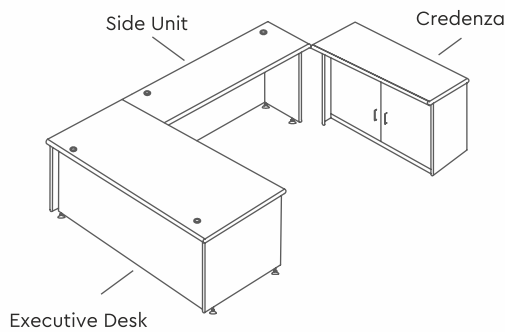
## DESKING/Executive Series/**Finesse**



### Features:

- Executive Desk and Side Unit available in different sizes to suit varying cabin sizes
- Cut-outs on Executive Desk Top for wire management
- Option of LHS/RHS configurations to suit any cabin layout

### Line Diagram



### Specification

Model	Length	Depth	Height
Finesse Executive Desk 4020	120	60	74
Finesse Executive Desk 5026	150	75	74
Finesse Executive Desk 5630	165	90	74
Finesse Executive Desk 6030	180	90	74
Finesse Side Unit 3619	105	45	70.50
Finesse Side Unit 5219	155	45	70.50
Finesse Credenza 4319	128	42.50	70.50

All sizes in CM

### Colour Swatch



Grey



Beech &  
Black



Ash &  
Black

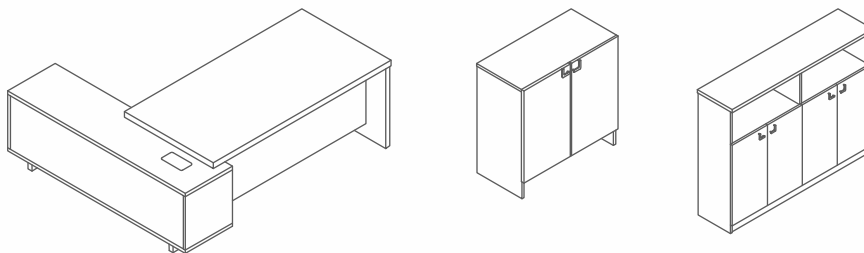
## DESKING/Executive Series/Axiom



### Features:

- Modernistic floating look design supporting comfortable and spacious workspaces
- Sturdy thick 48mm top
- Provision for wire management within the table in the form of an access flap for switch sockets

### Line Diagram



### Specification

Model	Length	Depth	Height
Overall Size	188	180	76
Main Desk Size	160	80	75
ERU Size	180	480	64,50
Storage Unit	80	41.50	80
Back Unit	160.40	39.60	123

All sizes in CM

### Colour Swatch



Bavarian Beech  
and White

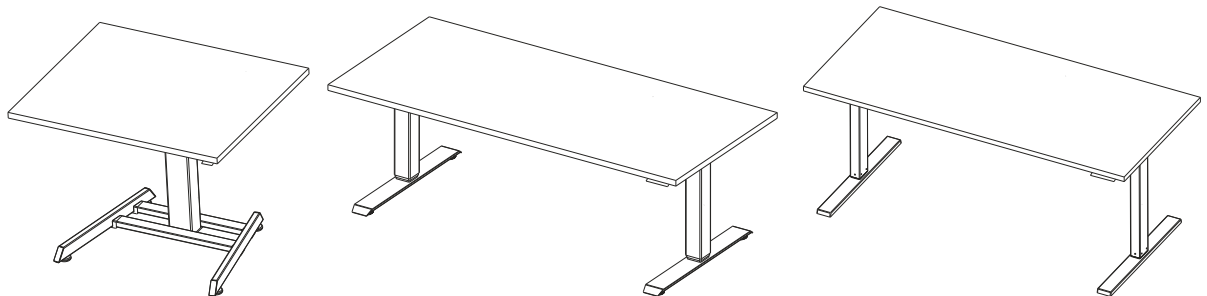
## DESKING/Executive Series/**Workout**



### Features:

- Load bearing capacities of upto 100 Kgs
- Digital controller featuring four memory pre-sets with LCD display showing current position in double column models
- Anti-collision mechanism to avoid any injury while in use
- Low power consumption of 0.06 W/hour per unit and low movement noise of upto <50 dB
- Speeds achieved upto 35 mm/s

### Line Diagram



### Specification

Model	Length	Depth	Height
Single Column Desk	90	75	69-114
Double Column Desk Model 1	165	75	56-119
Double Column Desk Model 2	120/165/180	75	72-121.50

All sizes in CM

### Colour Swatch

#### Understructure



White

#### Worktop



Hiland Pine



Frosty White

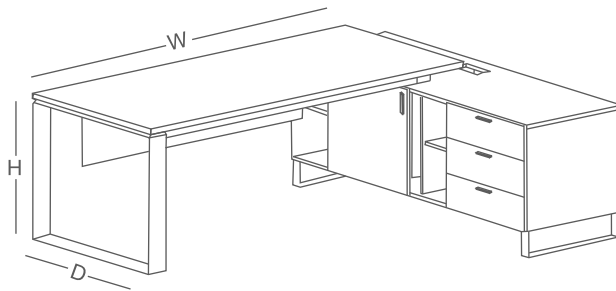
## DESKING/Executive Series/Lead



### Features:

- Floating top design
- Flap box is thoughtfully provided on Side Unit to keep the Executive Desk organized and clean
- Efficient use of space below the table to create additional storage in the otherwise dead corner
- Both LHS and RHS styled-desks to suit the customer's cabin layout

### Line Diagram



### Specification

Model	Length	Depth	Height
Overall	205.50	180	75
Executive Desk	180	90	75
Side Unit	180	60	67.50

All sizes in CM

### Colour Swatch



Oak  
with White





# DESKING



## Office Desks

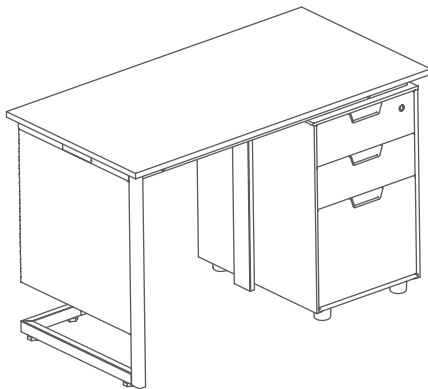
## DESKING/Office Desks/Enterprise



### Features:

- WIRE SLOTS: Slots provided in the top frame for passage of wires
- WOODEN MODESTY: Wooden Modesty panel offers the needed privacy Available in 1500 and 1650 width tables only
- WIRE CARRIER: Vertical and Horizontal Wire Carrier ensures a clutter-free and organized desk
- CPU MOUNT: An Accessory: CPU Mount ensures that the CPU does not take space on the floor
- STORAGE SPACE: Sufficient Storage provided in the pedestal takes care of the storage requirement

### Line Diagram



### Specification

Model	Length	Depth	Height
Executive Desk	120	60	72.80
	135	75	72.80
	150	75	72.80
	165	90	72.80

All sizes in CM

### Colour Swatch



M. Grey  
with Matt NK Grey



Mountain Larch  
(White) with SG 408C



Douglas Pine  
with SG 410C



Maldau Dark Acacia  
with SG 408C



N. Teak  
with Char Brown

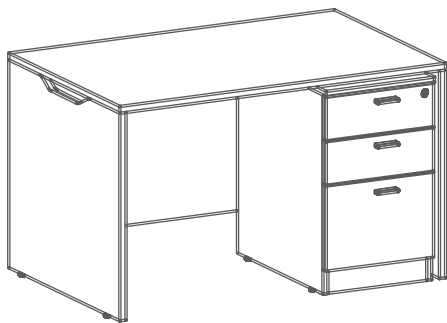
## DESKING/Office Desks/Work



### Features:

- All-wood desk with a free-standing pedestal
- Wire management cut-outs on both side panels to connect wires to monitor, ensuring neat clutter-free worktop
- Adequate storage with a 3-drawer pedestal
- Available with accessories\* like CPU Trolley & KBPT (Keyboard Pull-out Tray)

### Line Diagram



### Specification

Model	Length	Depth	Height
Work Desk 1	120	60	74
Work Desk 2	150	75	74

All sizes in CM

### Colour Swatch



Silver  
Oak



Bavarian  
Beech

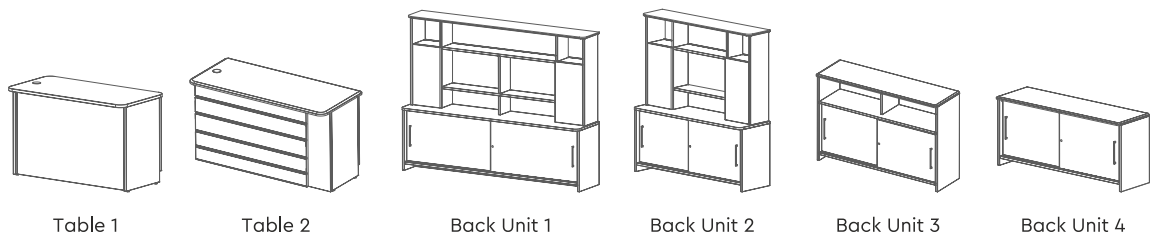
## DESKING/Office Desks/**Aristo**



### Features:

- Softened corners ensure comfort and convenience
- Chamfered edge offers user comfort while working
- A simple horizontal line pattern and dark wood grains redefine elegance
- The soft close sliding doors, with aluminium handles for back units ensure ease of operation

### Line Diagram



### Specification

Model	Length	Depth	Height
Main Table 1	120	60	75
Main Table 2	135	60	75
Back Unit 1	235	50	180
Back Unit 2	165	50	180
	180	50	180
Back Unit 3	165	50	115
	180	50	115
	235	50	115
Back Unit 4	165	50	75
	180	50	75
	235	50	75

All sizes in CM

### Colour Swatch



Laminate  
in Vallyny  
Oak + Black  
(table 1)



Membrane  
in Tobacco  
Ash + Black

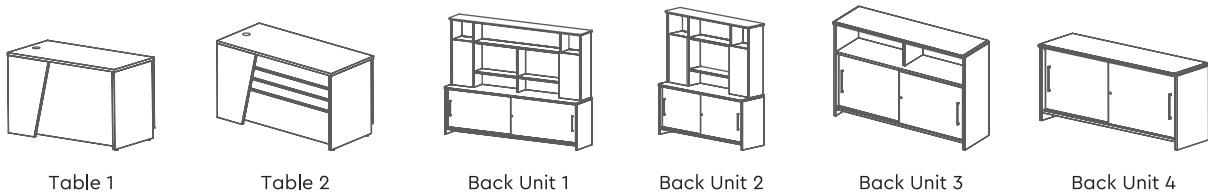
## DESKING/Office Desks/**Topaz**



### Features:

- Clean lines and surfaces enhance the overall look, blending well with raw wood grain and aesthetic door handles
- Simple geometric lines throughout the panel with optimum use of lighter shades, highlight neatness
- A unique pattern on the fascia and modesty panel ups the style quotient

### Line Diagram



### Specification

Model	Length	Depth	Height
Main Table 1	120	60	75
Main Table 2	135	60	75
Back Unit 1	235	50	180
Back Unit 2	165	50	180
	180	50	180
Back Unit 3	165	50	115
	180	50	115
	235	50	115
Back Unit 4	165	50	75
	180	50	75
	235	50	75

All sizes in CM

### Colour Swatch



Laminate  
in Urban Teak  
+ Frosty White



Membrane  
in Tiepolo PC  
+ Frosty White

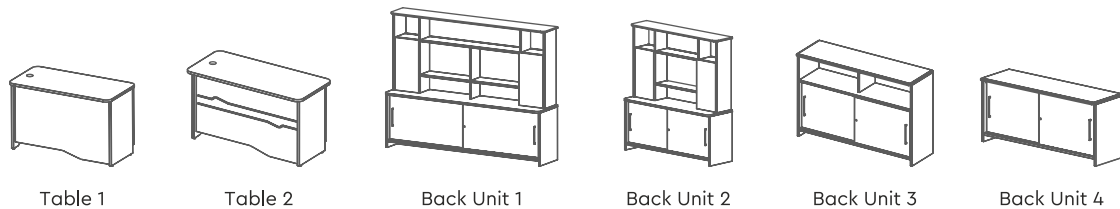
## DESKING/Office Desks/**Cignus**



### Features:

- Inspired by the grace of Swan the flowing design of return unit blends seamlessly into the main table. The contrasting colors aesthetically highlight the same
- The flowing lines continue on the modesty with a slanted cut to the panel that perfectly complements the return unit

### Line Diagram



### Specification

Model	Length	Depth	Height
Main Table 1	120	60	75
Main Table 2	135	60	75
Back Unit 1	235	50	180
Back Unit 2	165	50	180
	180	50	180
Back Unit 3	165	50	115
	180	50	115
	235	50	115
Back Unit 4	165	50	75
	180	50	75
	235	50	75

All sizes in CM

### Colour Swatch



Laminate  
in Noce Versalis  
+ Frosty White



Membrane  
in Nova Magnolia  
+ Noce Versalis

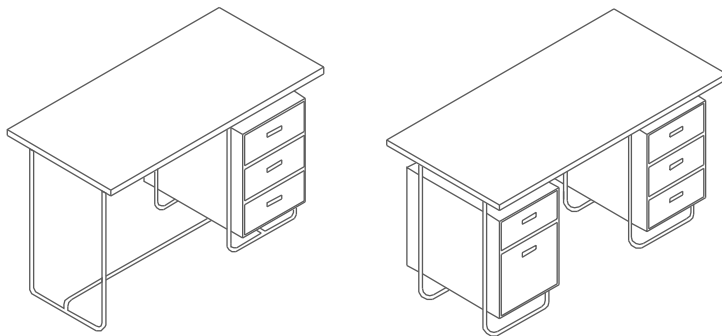
## DESKING/Office Desks/**Unitized Table T8 & T9**



### Features:

- Table range has different sizes to meet different hierarchical needs
- Footrest is provided in some models for comfort during long hours
- Varying drawer combos available to suit varied storage requirement
- Available in both round and tubular understructure

### Line Diagram



### Specification

Model	Length	Depth	Height
T8	119.90	59	73.5
T9	136.50	68	73.5

All sizes in CM

### Colour Swatch



Silver  
Grey top



Teak  
top



Rosewood  
top



Highland  
Pine top



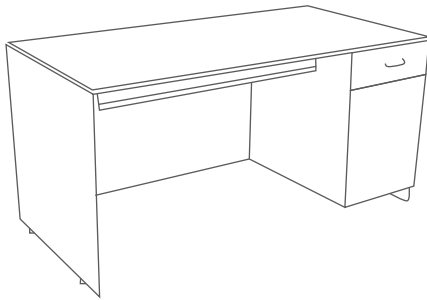
## DESKING/Office Desks/**Trident Junior**



### Features:

- Trendy, compact, all wood desk
- Aids productivity, efficiency & ease of use
- In-built shelf for storage underneath the work top and desk with integrated pedestal for storage  
1 box 1 hinge door pedestal (only drw lockable)
- 2 colours Wenge & Savannah Maple (2) Savannah Maple & Dark Cloud

### Line Diagram



### Specification

Model	Length	Depth	Height
Trident Junior 1	120	60	74.30
Trident Junior 2	150	75	74.30

All sizes in CM

### Colour Switch



Wenge &  
Fusion Maple

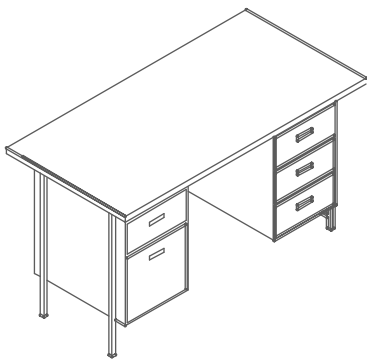
## DESKING/Office Desks/**Stylo**



### Features:

- Aesthetic appeal that comes with its all-wood construction
- Ample storage with 2 box and 1 file drawers
- CPU and Keyboard space provided
- 2 colour choices

### Line Diagram



### Specification

Model	Length	Depth	Height
Stylo	120	60	75

All sizes in CM

### Colour Swatch



Beech

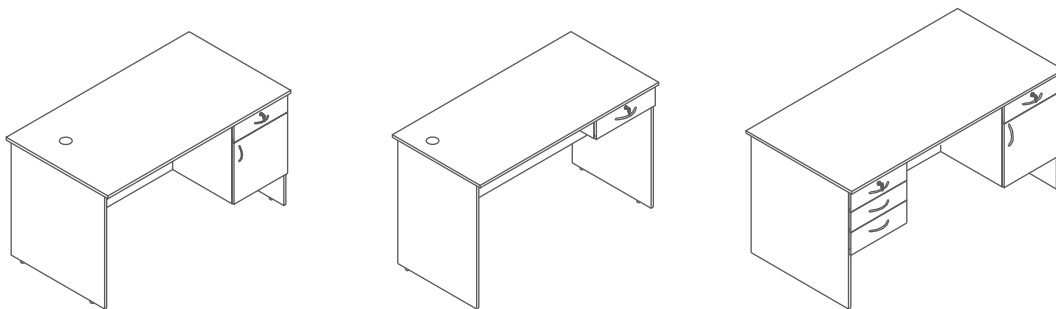
## DESKING/Office Desks/**Enzo**



### Features:

- Aesthetic and functional all-wood design
- Variable drawer combos flex as per users needs
- Added safety with lockable drawers

### Line Diagram



### Specification

Model	Length	Depth	Height
Enzo	135	75	75
	120	60	75
	150	75	75

All sizes in CM

### Colour Swatch



Bavarian  
Beech



# DESKING

# Conference Tables

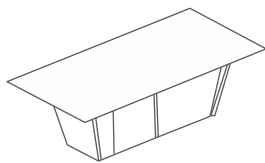
## DESKING/Conference Tables/**Conclave**



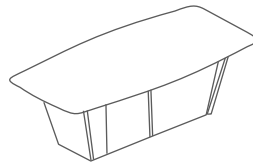
### Features:

- Classy and sophisticated, black-back painted glass top with 12 mm thick toughened glass
- Plug-and-play data and power points for individual users with in-built concealed wire management for neat looks and uninterrupted conferencing
- Additional concealed storage to keep conferencing material during discussions, to avoid worktop clutter

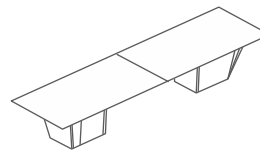
### Line Diagram



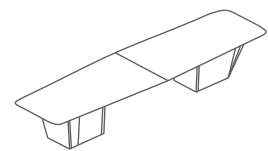
8 Seater  
(Straight Top)



8 Seater  
(Curvilinear)



10-14 Seater  
(Straight Top)



10-14 Seater  
(Curvilinear Top)

### Specification

Model	Length	Depth	Height
8 Seater Curve/straight	240	120/150	75
10 Seater Curve/straight	320	120/150	75
12 Seater Curve/straight	400	120/150	75
14 Seater Curve/straight	480	120/150	75

All sizes in CM

### Colour Swatch



Black



# DESKING



## Training Tables



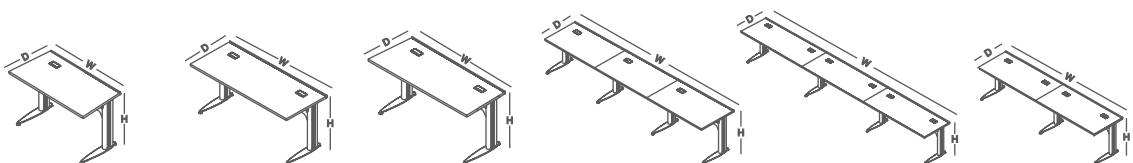
## DESKING/Training Tables/**Unlearn**



### Features:

- It has 3 Base units that can make a single, double, triple or a 6 seater table
- Table height is low to ensure visibility of the instructor during training is not hindered due to the PC or laptop
- Well designed wire management ensures ample leg space and clean under table environment
- Access Flap mounted on the tabletop enables easy access to plug points
- Sleek table with sleek legs ensure minimum use of space and also makes the table look light and aesthetic

### Line Diagram



Unlearn One Seater  
(Desktop / Laptop)

Unlearn Two  
Seater (Laptop)

Unlearn Two  
Seater (Desktop)

Unlearn Three Seater  
(Desktop / Laptop)

Unlearn  
Six Seater

Unlearn  
Four Seater

### Specification

Model	Length	Depth	Height
One Seater (Desktop/Laptop)	90	60	68
Two Seater (Laptop)	135	60	68
Two Seater (Desktop)	150	60	68
Three Seater (Desktop/Laptop)	270	60	68
Six Seater (Desktop)	450	60	68
(Laptop)	405	60	68
Four Seater (Desktop)	300	60	68
(Laptop)	270	60	68

All sizes in CM

### Colour Swatch



Fusion  
Maple

Highland  
Pine

Blue

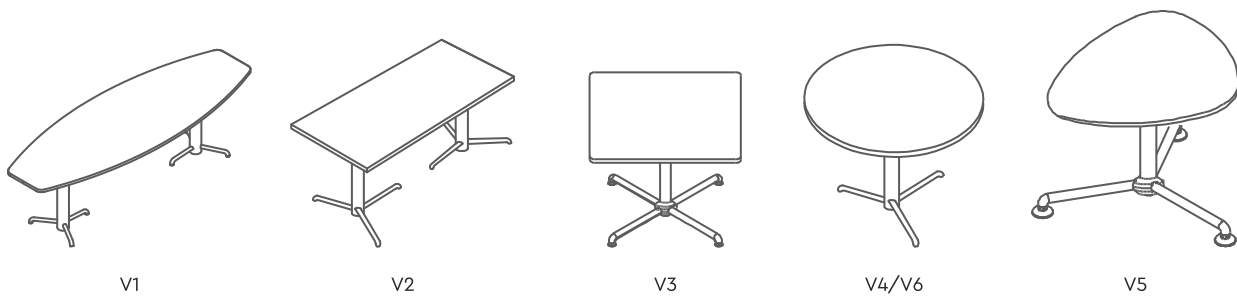
## DESKING/Training Tables/**Versatila**



### Features:

- Multipurpose tables ideal for discussion rooms, pantry etc.
- Tops made with thermally fused laminate with flat/ rounded PVC edge banding
- Versatila structure is made of chrome plated 3 base legs with powder coated post

### Line Diagram



### Specification

Model	Length	Depth	Height
V1	256.70	89.40	75
V2	150	89.40	75
V3	89.40	89.40	75
V4	89.40	-	75
V5	101.80	100	75
V6	75	-	75

All sizes in CM

### Colour Swatch



White  
Cedar



# DESKING



**Reception**

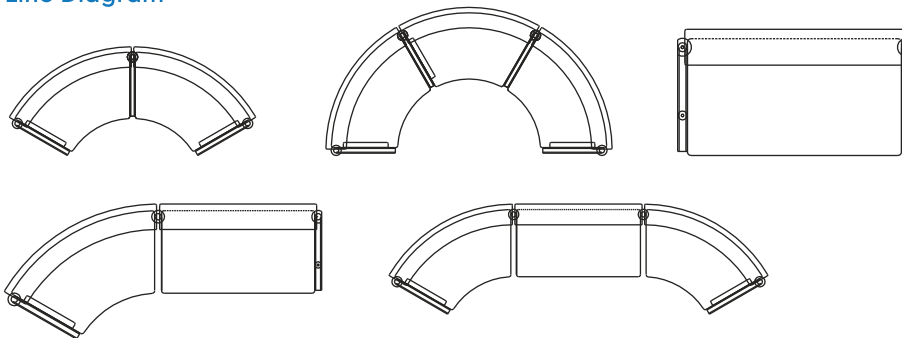
## DESKING/Reception/First Impression



### Features:

- Curvilinear wood tops, chrome plated glass mountings for enhanced aesthetic
- Perforated modesty panels and glass counter for easy but unobtrusive contact with the visitor
- Mobile storage space and sleek wire management for that immaculate and uncluttered look
- Separate knock-down segments to suit different space requirements

### Line Diagram



### Specification

Model	Length	Depth	Height
First Impression Double Curved	241	106.50	103.50
First Impression Triple Curved	280	143	103.50
First Impression Single Recta and Single Curved	249	106	103.50
First Impression Single Recta and Double Curved (on both sides)	366.50	106	103.50
Single Recta	131	70.25	103.50

All sizes in CM



# DESKING



## Cafeteria and Breakout Areas

## DESKING/Cafeteria and Breakout Areas/Cafe Pod



### Features:

- Design provides clean and hygienic cafeterias
- Folding design
- Horizontal stacking
- Serrated Stainless Steel pedestal for aesthetics and sturdiness

### Line Diagram



### Specification

Model	Length	Depth	Height
Rubber Wood Top	80	80	73.80
Stainless Stool Top	80	80	74.25
PU Top	80	80	74.50

All sizes in CM

### Colour Swatch

#### PU Coated Top



#### Rubber Wood Top



#### Stainless Steel Top





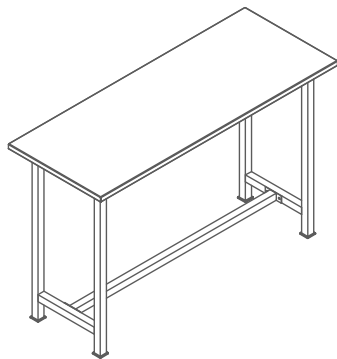
## DESKING/Cafeteria and Breakout Areas/Relish



### Features:

- Stainless Steel top facilitates easy maintenance without getting damp
- Stainless Steel top is supported with particle board that gives the table the needed strength
- Available in two variants, 2 and 4 seater combinations
- Can be used for serving as well as eating meals

### Line Diagram



### Specification

Model	Length	Depth	Height
Relish 1	118	46	75
Relish 2	118	75	75

All sizes in CM

### Colour Swatch



Stainless Steel Top

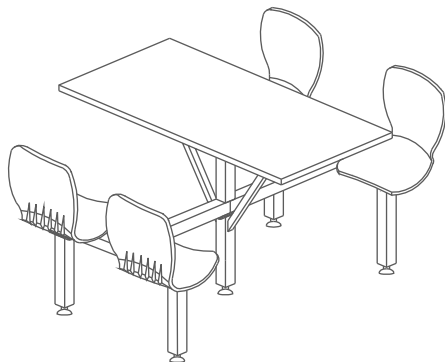
## DESKING/Cafeteria and Breakout Areas/Cantina



### Features:

- Stainless Steel top ensures ease of cleaning
- Stainless Steel top is supported with particle board that gives the table the needed strength
- Integrated table and seat ensures space optimization
- Option of chairs and stools

### Line Diagram



### Specification

Model	Length	Depth	Height
Cantina with Plastic Shell Seat	118	149.20	75
Cantina with Stainless Steel Stool	118	158	75

All sizes in CM

### Colour Swatch



Stainless Steel top



Red Chair



Yellow Chair



Green Chair



Stainless Steel Stool

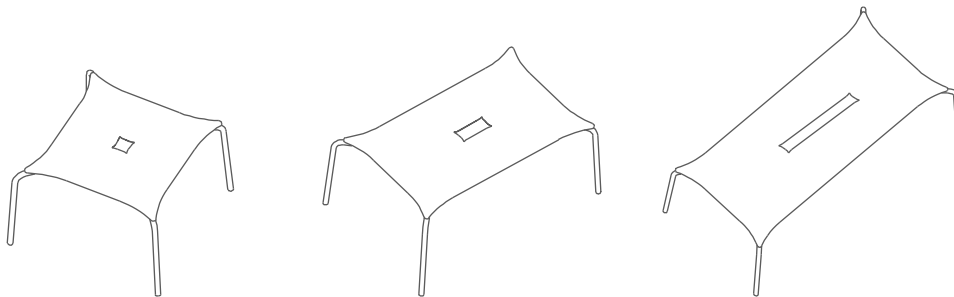
## DESKING/Cafeteria and Breakout Areas/Time Out



### Features:

- It is sleek & stackable to ensure better space management for the user
- It has a wide range of colours available that are suitable for both trendy & traditional meal spaces
- Also available in PU Coated top & Membrane top
- Options of 4, 6 & 8 seater configurations gives ample choice to the user as per his requirement

### Line Diagram



### Specification

Model	Length	Depth	Height
4 Seater	113.50	117.50	75
6 Seater	173.40	117.50	75
8 Seater	232.90	117.50	75

All sizes in CM

### Colour Swatch



Lime  
Green



Sunshine  
Yellow



Lagoon  
Blue



Walnut



# DESKING



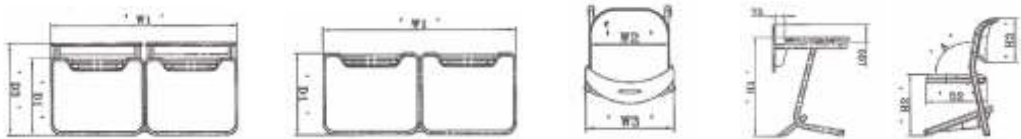
# Education Furniture



**Features:**

- The niche between the modesty and helps store and prop books while referring them in class
- Provision of hook on frame allows for tidier aisle space
- The shelf beneath the seat provides students a space to store and quickly access their belongings
- Polypropylene injection moulded edges ensure durability of lipping by preventing peel-off

**Line Diagram**



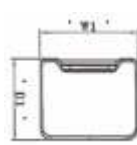
D3 Version - 2 Seater

D1 Version - 2 Seater

Chair



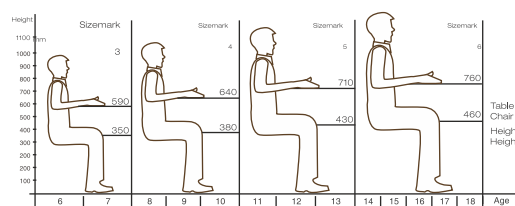
D3/D4 Version - 1 Seater



D1/D2 Version - 1 Seater

- D1 - Basic (without Modesty and Gaslift)
- D2 - With Gaslift (without Modesty)
- D3 - With Modesty (without Gaslift)
- D4 - Fully Loaded (with Modesty and Gaslift)

**Specification**



Available in 4 Sizemarks catering to ages 6 to 18 years

**Colour Switch**



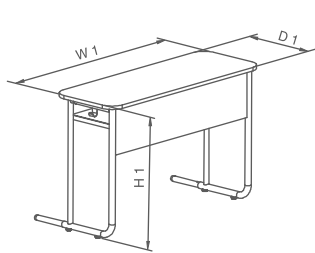
Choco Top  
with Bond White



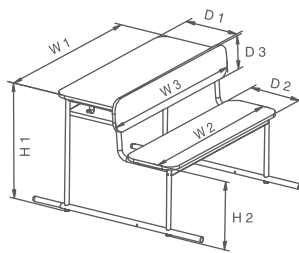
**Features:**

- SAFETY COMES FIRST: Rounded edges ensure student's safety and the 95 degree incline in the back gives optimum comfort while sitting
- SUPERIOR MATERIAL: Available in PLT and Compact Laminate (which is lipping-free, thus adding to the life of the product)
- FLEXIBLE DESIGN: Distance-adjustable feature between seat and table helps to accommodate varied age groups

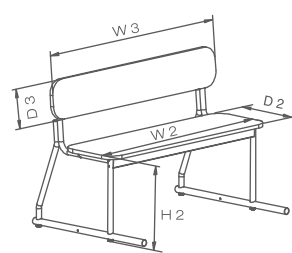
**Line Diagram**



Front Module



Middle Module



Rear Module

**Colour Swatch**



Choco Top  
with Bond White

Note: Genii is available in 2 variants: PLT and Compact Laminate.  
3 seater is not applicable for Compact Laminate module.  
Sizes are conforming to IS 4837 : 1990. For size verification it is advised to call for a mockup.

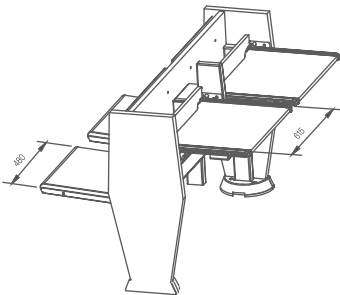
## DESKING/Education Furniture/**Namaste**



### Features:

- **FOLDABLE SEAT AND DESK:** The unique design offers foldable seats and desks that are easy to operate, have a neat open look and save aisle space when folded in, allowing more people to be accommodated in the same space
- **PLUG AND PLAY:** Easy in-built plug and play feature facilitates interactive learning thus making the use of laptops, LCDs and audio visual equipment easier
- **GROUTED UNDERSTRUCTURE:** Grouted understructure of Namaste assures you of sturdiness and fixed position thus ensuring organized lecture halls

### Line Diagram



### Specification

Model	Length	Depth	Height
2 Seater Front	137.40	698.50	89
2 Seater Middle	137.40	1079.50	89
2 Seater Rear	137.40	75.10	89
3 Seater Front	204.40	698.50	89
3 Seater Middle	204.40	1079.50	89
3 Seater Rear	204.40	75.10	89
4 Seater Front	271.30	698.50	89
4 Seater Middle	271.30	1079.50	89
4 Seater Rear	271.30	75.10	89

All sizes in CM

### Colour Swatch



Choco



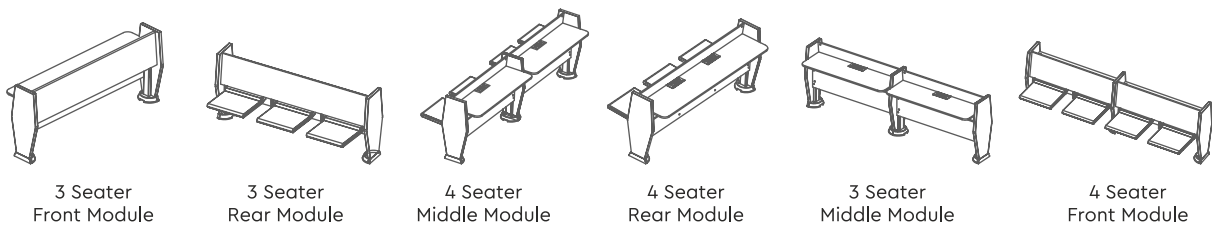
## DESKING/Education Furniture/**Namaste II**



### Features:

- **FOLDABLE SEAT AND DESK:** The unique design offers foldable seats and desks that are easy to operate, have a neat open look and save aisle space when folded in, allowing more people to be accommodated in the same space
- **PLUG AND PLAY:** Easy in-built plug and play feature facilitates interactive learning thus making the use of laptops, LCDs and audio visual equipment easier
- **GROUTED UNDERSTRUCTURE:** Grouted understructure of Namaste assures you of sturdiness and fixed position thus ensuring organized lecture halls

### Line Diagram



### Specification

Model	Length	Depth	Height
2 Seater Front	137.80	52	89
2 Seater Mid	137.80	90.20	89
2 Seater Rear	137.80	75	89
3 Seater Front	204.80	52	89
3 Seater Mid	204.80	90.20	89
3 Seater Rear	204.80	75	89
4 Seater Front	272.00	52	89
4 Seater Mid	272.00	90.20	89
4 Seater Rear	272.00	75	89

All sizes in CM

### Colour Swatch



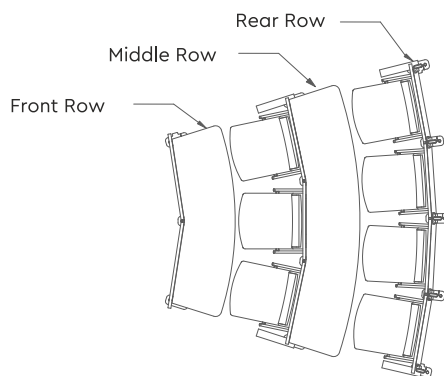
## DESKING/Education Furniture/**Enlighten**



### Features:

- Contoured and cushioned seat backs
- No sharp corners results in better safety
- Hooks for bags and belongings
- Seat tipper closes softly making entry and passage between rows easier

### Line Diagram



### Specification

Dimensions vary as per project specific requirementer

### Colour Swatch



Choco

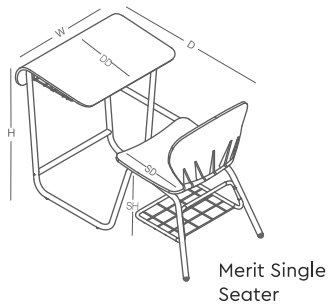
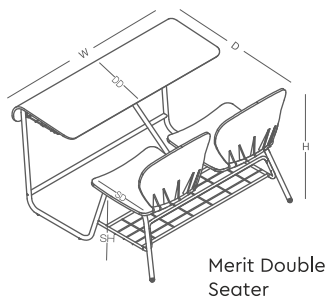
## DESKING/Education Furniture/**Merit**



### Features:

- Uniquely contoured desk with a falling edge towards the user that offers support to the wrist
- Integrated desk and bench ensures optimum space utilization and organized classroom
- Flexible Plastic Seat Shell to ensure comfort during long sitting hours
- Storage under seat and desk

### Line Diagram



### Specification

Model	Length	Depth	Height
Merit Single Seater	59.4	105.10	72.50
Merit Double Seater	120	105.10	72.50

All sizes in CM

### Colour Swatch



Highland Pine Top  
with Mystical Green Seat



Viking Teak Top  
with Sunshine Yellow Seat

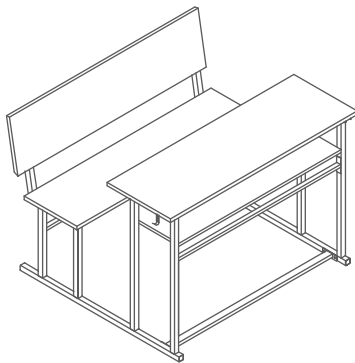
## DESKING/Education Furniture/Scholar



### Features:

- Integrated table and chair ensures optimum space utilization and organized classroom
- Ergonomically designed models ensures comfort for long hours
- Hook to hang bags and bottles and a shelf to keep books and other necessities

### Line Diagram



### Specification

Model	Length	Depth	Height
Variant 1	104.80	89.50	75
Variant 2	150	89.50	75
Variant 3	180	89.50	75

All sizes in CM

### Colour Swatch



Grey Top  
with Black u/s



Ivory Top  
with Char Brown u/s

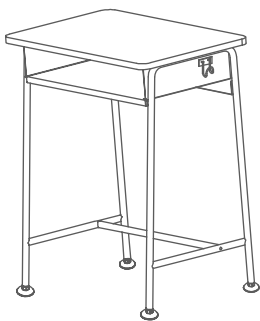
## DESKING/Education Furniture/**Winner**



### Features:

- Independent and compact solution ensures optimum space utilization
- Hook to hang bags and bottles and a shelf to keep books and other necessities

### Line Diagram



### Specification

Model	Length	Depth	Height
Winner	60	40	74

All sizes in CM

### Colour Swatch



Grey Top  
with Black u/s



Beech Top with  
Metallic Silver Grey u/s

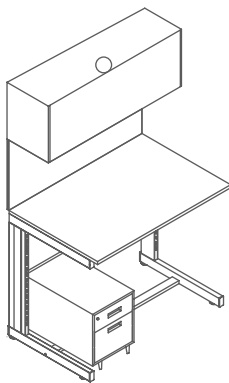
## DESKING/Education Furniture/**Champ**



### Features:

- Ergonomically designed tables ensure comfort
- Can be offered as a basic table and a full fledged unit
- Lockable overhead storage unit provides ample storage space
- Foot rest provides comfort during long working hours

### Line Diagram



### Specification

Model	Length	Depth	Height
Champ only Table 1	90	60	74.50
Champ only Table 2	120	60	74.50
Pin-up Board 1	895.20	NA	452.40
Pin-up Board 2	1195.20	NA	452.40
Champ Overhead Storage Unit 1	89.80	31.50	41
Champ Overhead Storage Unit 2	119.80	31.50	41
Champ Pedestal (DUCN - 104)	355.50	55.90	433.50

All sizes in CM

### Colour Swatch



Texture Moonlight Grey  
White Cedar Top



# Leather and Leatherette Chairs



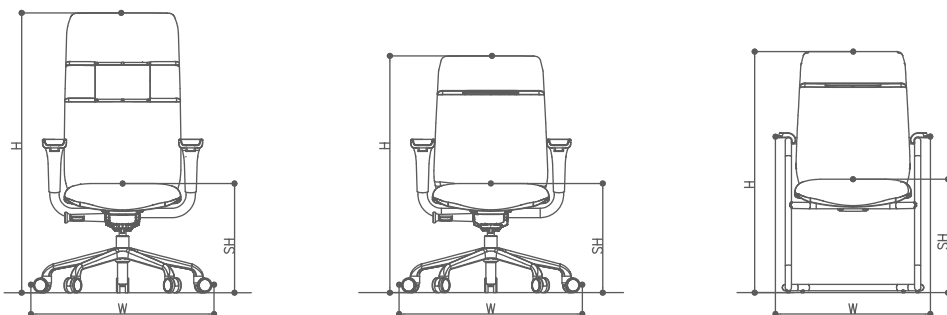
## SEATING/Leather and Leatherette Chairs/**La Sede**



### Features:

- **HEIGHT ADJUSTABLE BACK:** The contoured lumbar area can be adjusted to suit your back profile by adjusting the back height.
- **T-SPINE STRUCTURE:** This supports the contoured chair back, providing flexibility in the back height adjustment.
- **HEIGHT ADJUSTABLE ARMS:** The wide, soft edged PU top armrests provide complete support to elbows and forearms. The height of armrests can be adjusted as per need.
- **ACTIVE BIO-SYNCHRO MECHANISM:** The Active Bio-Synchro mechanism senses your body weight and tilts accordingly even as the seat glides in tandem with the back. This provides full contact and continuous support to the back in all tilt positions. The chair comes with 5 position tilt limiter.
- **SEAT DEPTH ADJUSTMENT:** The seat depth adjustment helps fit different body types.

### Line Diagram

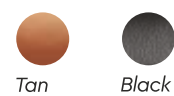


### Specification

Model	Length	Depth	Height	Seat Height
High Back	76.10	76.10	114-131.50	44.50-54.50
Mid Back	76.10	76.10	96.50-114	44.50-54.50
Visitor	60.90	64.70	98.20	46.20

All sizes in CM

### Colour Swatch



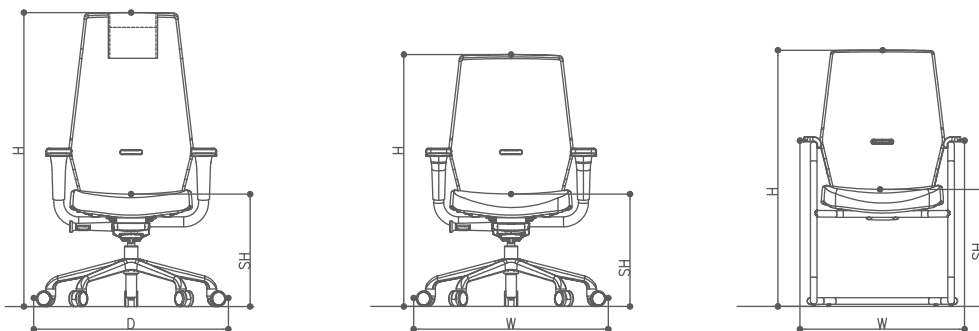
## SEATING/Leather and Leatherette Chairs/Marvel



### Features:

- **HEIGHT ADJUSTABLE BACK:** The contoured lumbar area can be adjusted to suit your back profile by adjusting the back height.
- **T-SPINE STRUCTURE:** This supports the contoured chair back, providing flexibility in the back height adjustment.
- **HEIGHT ADJUSTABLE ARMS:** The wide, soft edged PU top armrests provide complete support to elbows and forearms. The height of armrests can be adjusted as per need.
- **ACTIVE BIO-SYNCHRO MECHANISM:** The Active Bio-Synchro mechanism senses your body weight and tilts accordingly even as the seat glides in tandem with the back. This provides full contact and continuous support to the back in all tilt positions. The chair comes with 5 position tilt limiter.
- **SEAT DEPTH ADJUSTMENT:** The seat depth adjustment helps fit different body types.

### Line Diagram



### Specification

Model	Length	Depth	Height	Seat Height
High Back	76.10	76.10	112.70-130.20	43.10-53.10
Mid Back	76.10	76.10	96.50-114	43.10-53.10
Visitor	60.90	64.20	98.20	44.80

All sizes in CM

### Colour Swatch



Black

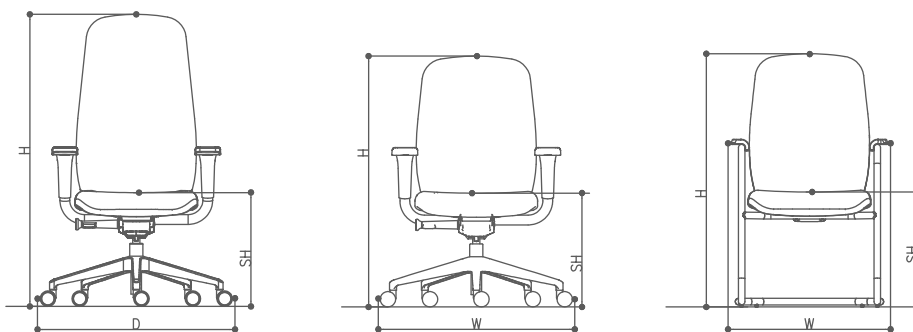
## SEATING/Leather and Leatherette Chairs/**Versa Neo**



### Features:

- **HEIGHT ADJUSTABLE BACK:** The contoured lumbar area can be adjusted to suit the user's back profile by adjusting the back height.
- **COMFORTABLE AND HEALTHY SEATING:** Designed with an ergonomic contour, these provide form-fitting lumbar support ensuring comfort and healthy seating.
- **T-SPINE STRUCTURE:** This supports the contoured chair back, providing flexibility in the back height adjustment.
- **HEIGHT ADJUSTABLE ARMS:** A personalized arm support with wide PU top arms offers firm support while performing any task. The wide PU Armtop ensures comfortable elbow rest without the need for swivel.
- **ACTIVE BIO SYNCHRO MECHANISM:** An auto back-tilt tension adjustment. This is based on a user's body weight in which the seat 'glide' function during tilting ensures proper lower back support.
- **SEAT DEPTH ADJUSTMENT:** This allows the seat to be adjusted in a forward or backward position, enabling long-term comfort while performing multi-role tasks.

### Line Diagram



### Specification

Model	Length	Depth	Height	Seat Height
High Back	76.10	76.10	113.60-131.10	44.40-54.40
Mid Back	76.10	76.10	98.60-116.10	44.40-54.40
Visitor	60.90	64.30	99.50	44.80

All sizes in CM

### Colour Swatch



Dual fabric Grey  
with Black LC

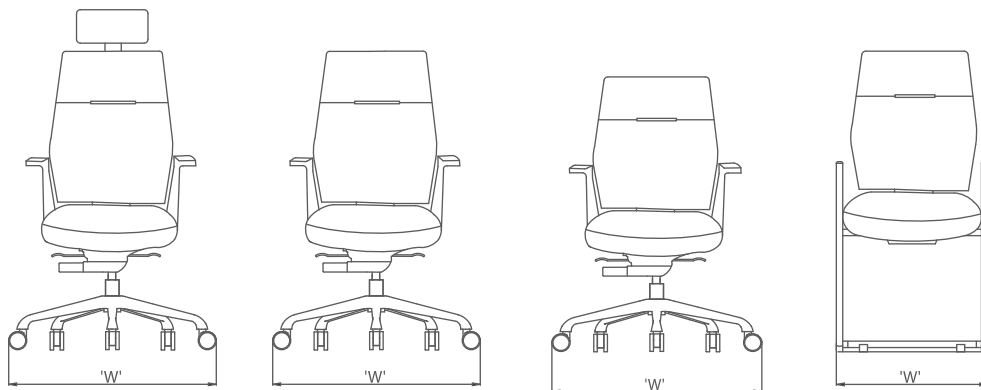
## SEATING/Leather and Leatherette Chairs/Sedna



### Features:

- Leather upholstery for luxurious touch and feel
- Pneumatic seat height adjustment
- Chrome finish fixed armrest
- Back height adjustment
- Synchronous tilt mechanism
- Multi-position locking
- Anti Shock mechanism
- 5 pronged die cast aluminium pedestal

### Line Diagram



### Specification

Model	Length	Depth	Height	Seat Height
High Back (with Headrest)	75	75	113.50-138	41-51
High Back (without Headrest)	75	75	101-118	41-51
Mid Back	75	75	93.50-110.50	41-51
Visitor	51	66.50	96	48

All sizes in CM

### Colour Swatch



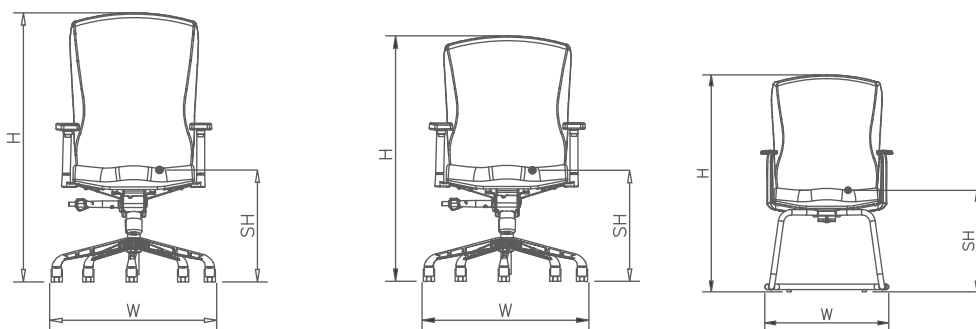
## SEATING/Leather and Leatherette Chairs/**Beat**



### Features:

- Back height adjustment has a lever-less, drop-lift function for intuitive height adjustment while seated
- The trapezoidal back enables easy grip for back height adjustment
- Backrest adjustment and optional seat depth adjustment helps accommodate different body types
- The button underneath the arm pad enables arm height adjustment
- Multiple locking positions make it suitable for different tasks
- Contoured surfaces maximize body contact area and therefore maximize comfort
- Wide upper back and contoured seat ensures a comfortable seating experience
- Waterfall seat edge reduces pressure behind the knees, encouraging blood circulation

### Line Diagram



### Specification

Model	Length	Depth	Height	Seat Height
High Back	75	75	102-119	45-55
Mid Back	75	75	92-110	45-55
Visitor	57.50	58.20	100.80	47

All sizes in CM

### Colour Swatch



Black

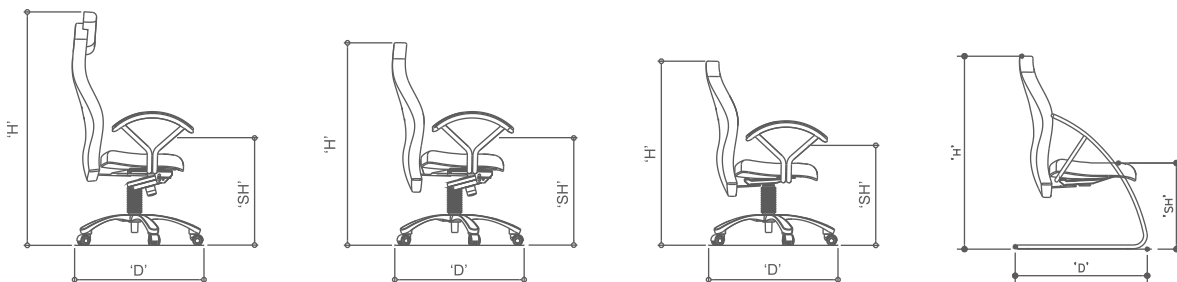
## SEATING/Leather and Leatherette Chairs/Halo



### Features:

- **KNEE SYNCHROTILT MECHANISM:** This mechanism ensures that the backrest tilts in 2:1 proportion to the seat as you recline, while ensuring the feet remain on the ground.
- **MULTI-POSITION LOCKING:** The backrest adjusts and locks in five different positions for comfort and support.
- **ANTI-SHOCK MECHANISM:** The anti-shock mechanism ensures stability and prevents sudden jerky impact to the back when the backrest is relaxed.
- **SEAT DEPTH ADJUSTMENT:** The user has an option of adjusting the seat depth.
- **HEIGHT ADJUSTMENT:** The user can adjust the height of the chair as required.

### Line Diagram

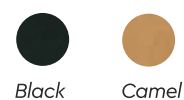


### Specification

Model	Length	Depth	Height	Seat Height
High Back	77	77	128-137	49.90-58.90
Mid Back	77	77	113.50-122.50	49.90-58.90
Visitor (Revolving)	77	77	99.40-111.40	43.40-55.40
Visitor (Sled-based)	59	68.50	89.50	46.50

All sizes in CM

### Colour Swatch





# SEATING

# Mesh Back Chairs



## SEATING/Mesh Back Chairs/Avid



### Features:

**AUTO-BALANCE:** • Automatically adjusts to various weights and heights  
• No need for adjusting the tension settings manually

**FOUR-POSITION LOCK:** • Back-tilting in four positions • Facilitates comfort for performing a range of tasks like reading, typing, interacting and relaxing

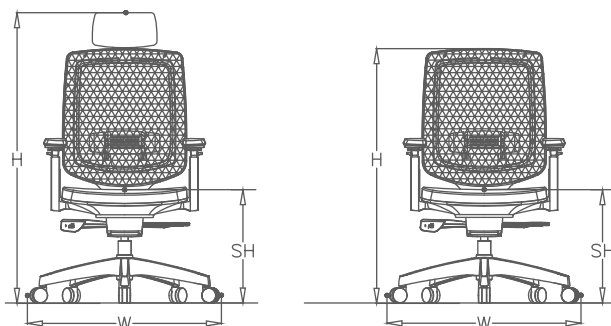
**SLIDING SEAT:** • Seat depth can be adjusted with ease and convenience • Fit for users of different sizes

**HEIGHT ADJUSTABLE LUMBAR PAD:** • Aesthetically striking, Lumbar Pad • Can be adjusted vertically to provide personalized back support to users of all heights

**3D HEADREST:** • Adjustable headrest height, angle and left-right movement • Consistent comfort at all times

**4D ARMRESTS:** • Forward-backward, swivel, height and width adjustments • Ensures comfort during a range of activities  
• Prevents stiffness and fatigue

### Line Diagram



### Specification

Model	Length	Depth	Height	Seat Height
High Back	78	78	113.50-126	44.53
Mid Back	78	78	98-107	44-53

All sizes in CM

### Colour Swatch



Black

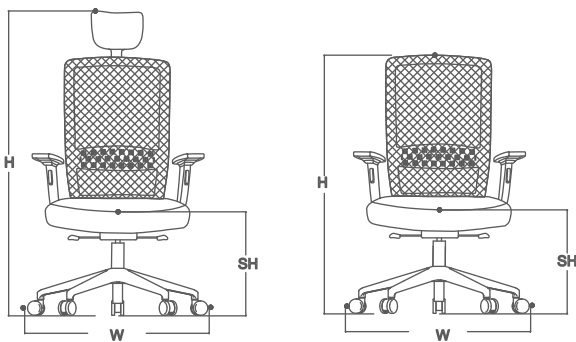
## SEATING/Mesh Back Chairs/**Greta**



### Features:

- Workstation chair with minimalistic design and aesthetics lend office spaces subtle sophistication and style
- It comes with several in-built ergonomic adjustments that make for an elevated user experience
- Adjustable lumbar support, headrest, armrests, multiple back lock and back tilt positions and adjustable seat height ensure comfort throughout the day
- Built to the most stringent performance and quality testing protocols conforming to BIFMA X5.1 standard.

### Line Diagram



### Specification

Model	Length	Depth	Height	Seat Height
High Back	76	76	114-123.50	43.50-54
Mid Back	76	76	95.50-105.50	43.50-54

All sizes in CM

### Colour Swatch



Grey Mesh back  
with Grey Fabric seat

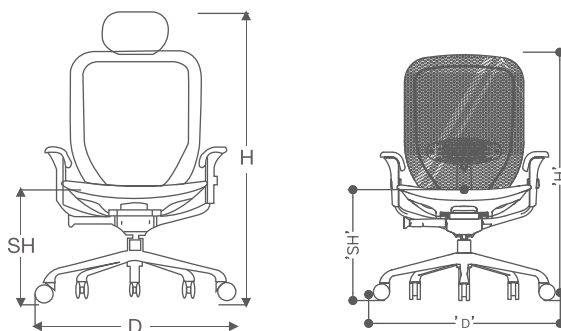
## SEATING/Mesh Back Chairs/Ace



### Features:

- Adjustable Neck Rest cushioned and contoured to provide adequate neck support
- The seat has a contoured foam to provide higher contact area and increased seating comfort
- The saddle support PU top adjustable armrests provide soft contours at all the touch points
- Specialised GREENGUARD compliant materials for healthy indoors
- 100% VOC free powder coating • 98% recyclable
- Knock-down design reducing transportation emissions.

### Line Diagram



### Specification

Model	Length	Depth	Height	Seat Height
3002AS (with Headrest)	75	75	109.30-124.40	45.50-55.50
3002AS	75	75	95.50-105.50	45.50-55.50
3002AC	70.50	70.50	99	49
3012AX	65.50	58.20	99.50	48.50

All sizes in CM

### Colour Swatch



Black  
(Back)

Refer VOILA range:  
V01, V02, V03, V04,  
V05, V06, V07, V08,  
V09, V10, V11, V12, V13,  
V14, V15, V16, V17

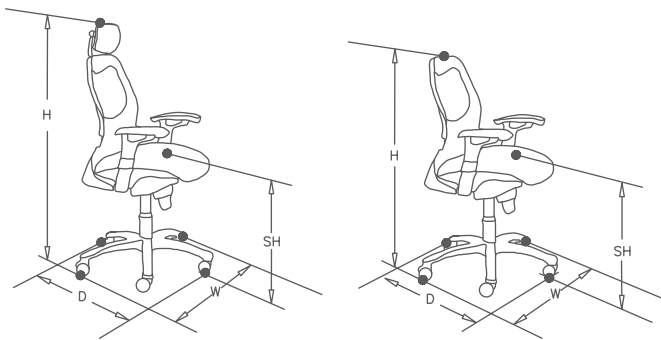
## SEATING/Mesh Back Chairs/**Leoma**



### Features:

- Netted chair backrest
- Adjustable lumbar support - Supports the back and suits the requirement of maximum number of people and makes the long hours of seating, a pleasure
- Adjustable headrest • Aluminium metal 5 pronged pedestals
- Multi-position locking with anti-shock feature

### Line Diagram



### Specification

Model	Length	Depth	Height	Seat Height
High Back	76	76	117-132	45-54
Mid Back	76	76	100-109	45-54
Visitor	55	65.50	98	45

All sizes in CM

### Colour Swatch



Black

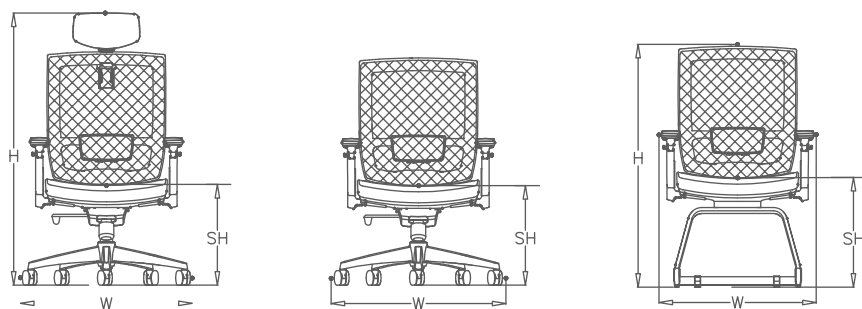
## SEATING/Mesh Back Chairs/Aveo



### Features:

- THREE POSITION TILT LOCK: The choice of tilting back in 3 comfortable positions to suit the task at hand.
- HEIGHT ADJUSTABLE LUMBAR PAD: Ample support to the lumbar area, for various body heights and sizes.
- ADJUSTABLE HEADREST: Benefit more from a headrest that adjusts 2 ways, up and down to support the right posture.
- ADJUSTABLE ARMRESTS: A range of activities are comfortably possible with armrests that can move vertically as well as to and fro
- ELEGANT DESIGN: Well designed aesthetic form that can help enhance the workspace décor.
- OUTSTANDING PERFORMANCE: AVEO has been put through stringent tests to guarantee strength and durability. It conforms to BIFMA X 5.1 standards.

### Line Diagram



### Specification

Model	Length	Depth	Height	Seat Height
High Back	73	73	111-126	42-52
Mid Back	73	73	94-104	42-52
Visitor	61	61	98.50	45.50

All sizes in CM

### Colour Swatch



Black

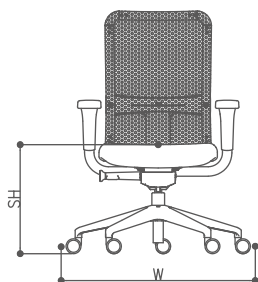
## SEATING/Mesh Back Chairs/**Versa Mesh**



### Features:

- **HEIGHT ADJUSTABLE BACK:** The contoured lumbar area can be adjusted to suit the user's back profile by adjusting the back height.
- **T-SPINE STRUCTURE:** This supports the contoured chair back, providing flexibility in the back height adjustment.
- **ACTIVE BIO SYNCHRO MECHANISM:** An auto back-tilt tension adjustment. This is based on a user's body weight in which the seat 'glide' function during tilting ensures proper lower back support.
- **COMFORTABLE AND HEALTHY SEATING:** Designed with an ergonomic contour, these provide form-fitting lumbar support ensuring comfort and healthy seating.
- **HEIGHT ADJUSTABLE ARMS:** A personalized arm support with wide PU top arms offers firm support while performing any task. The wide PU Armtop ensures comfortable elbow rest without the need for swivel.
- **SEAT DEPTH ADJUSTMENT:** This allows the seat to be adjusted in a forward or backward position, enabling long-term comfort while performing multi-role tasks.

### Line Diagram



### Specification

Model	Length	Depth	Height	Seat Height
High Back	76.10	76.10	97.30-114.80	43.60-53.60

All sizes in CM

### Colour Swatch



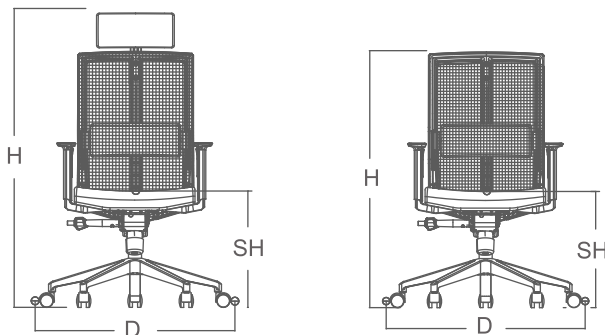
## SEATING/Mesh Back Chairs/**Pulse**



### Features:

- **ADJUSTABLE NECK REST:** Height as well as tilt adjustment gives perfect support to the neck while in a reclining position.
- **LUMBAR PAD ADJUSTMENT:** Multi Flex Active Lumbar support enhances user's comfort by allowing height adjustment appropriate to individual's lower back. The pad, covered with foam laminated fabric, is designed to be flexible which allows it to move with the user.
- **ARM HEIGHT ADJUSTMENT:** Gives adequate elbow support while working on the desk.
- **TWO SEAT DEPTHS:** Option of two seat depths ensures adequate comfort to users of all body types.
- **RECLINE LOCK:** Lock mechanism ensures that the chair continues to be in the locked position while reclining.

### Line Diagram



### Specification

Model	Length	Depth	Height	Seat Height
High Back	76.10	76.10	114-128.20	44-54
Mid Back	76.10	76.10	98-108	44-54

All sizes in CM

### Colour Swatch



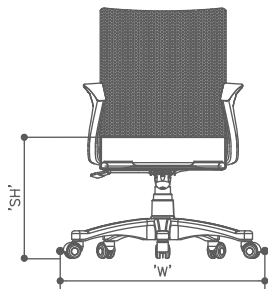
## SEATING/Mesh Back Chairs/Oxbo



### Features:

- Complete family of chairs : High Back, Full Back and Visitor
- Thicker Seat Cushion for SOLIDITY in Style
- Unique tubular frame back - DESIGNER touch
- Mesh upholstery on back - TRENDY and LIGHT
- Complimenting SLIM but WIDE Loop Armrests

### Line Diagram



### Specification

Model	Length	Depth	Height	Seat Height
High Back	76.30	76.30	99.50-110.50	43.30-54.30
Mid Back	76.30	76.30	89.50-100.50	43.30-54.30
Visitor	61	64.50	93.50	46.50

All sizes in CM

### Colour Swatch



Black  
(Back)

Refer VOILA range:

V01, V02, V03, V04, V05, V06, V07, V08,  
V09, V10, V11, V12, V13, V14, V15, V16, V17



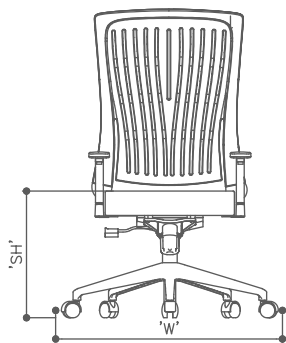
## SEATING/Mesh Back Chairs/Agile



### Features:

- The elastomer back has specific tension, pattern and unique properties which ensures optimal localized support for shoulders and lumbar region. The flexi back provides a comfortable support for both formal and informal postures.
- The thick cushioning & waterfall seat edge offer a perfect fit for all postures.
- Its Synchronous mechanism encourages healthy body movement. Tilt lock secures the chair in an upright position for constant back support for task based work.

### Line Diagram



### Specification

Model	Length	Depth	Height	Seat Height
9Y02AE	76.10	76.10	94.40-104.40	42.10-52.10

All sizes in CM

### Colour Swatch



Black

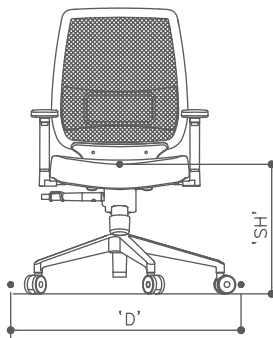
## SEATING/Mesh Back Chairs/**Gallop Mesh**



### Features:

- New Bio-Synchro™ Mechanism
- Easy reach infinite tilt tension adjustment
- 5 position TILT LIMITER feature
- 5 position inbuilt seat depth adjustment
- 4 way spring assist adjustable armrest
- 100% VOC free powder coating
- 98% recyclable

### Line Diagram



### Specification

Model	Length	Depth	Height	Seat Height
PCH-9X02AG	76.10	76.10	96.30-106.30	45.20-55.20

All sizes in CM

### Colour Swatch



Black

Refer VOILA range:

V01, V02, V03, V04, V05, V06, V07, V08,  
V09, V10, V11, V12, V13, V14, V15, V16, V17

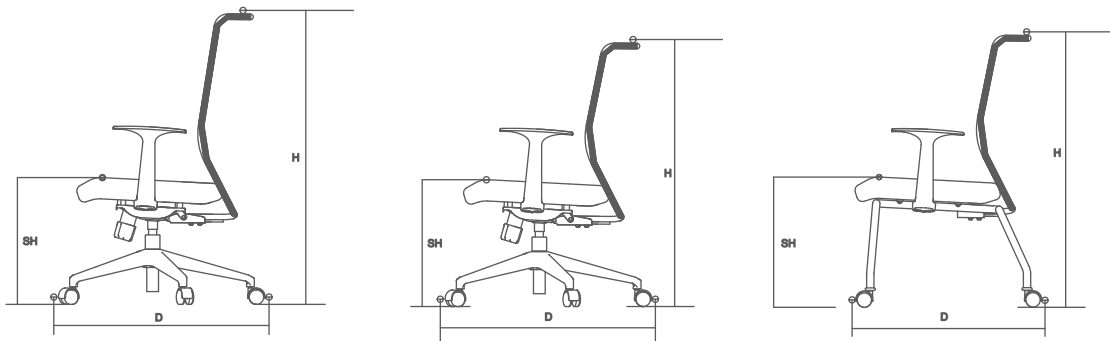
## SEATING/Mesh Back Chairs/Ventillo



### Features:

- Double-layered mesh back which follows the natural curve of the spine to ensure a firm, body-fitting back support
- The thick cushioning & a waterfall seat edge offer a perfect fit for all postures
- Synchro Mechanism with upright position locking ensures constant back support.

### Line Diagram



### Specification

Model	Length	Depth	Height	Seat Height
High Back	76.10	76.10	99.70-109.70	42.10-52.10
Mid Back	76.10	76.10	90.50-100.50	42.10-52.10
Visitor	59	65	94.40	45

All sizes in CM

### Colour Swatch



Black  
(Back)

Refer VOILA range:  
V01, V02, V03, V04,  
V05, V06, V07, V08,  
V09, V10, V11, V12, V13,  
V14, V15, V16, V17



# SEATING

# Cushion Back Chairs

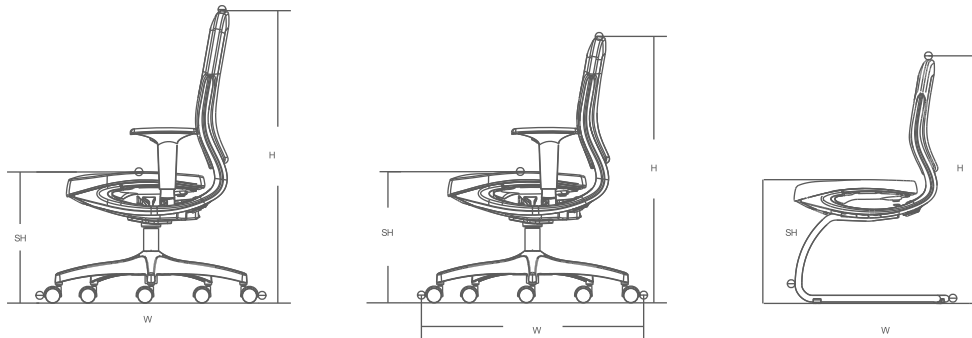
## SEATING/Cushion Back Chairs/Motion



### Features:

- Motion chair's **EasyFlex** is an innovative system that enables the user to adopt dynamic body movements while seated
- The unique flexing and springback motion of this chair is a result of an evolved design construction and hi-tech compounded engineering plastics
- The seat and back of this chair are firmly connected to the base frame and are cantilevered in a way that allows multi-dimensional movement.

### Line Diagram



### Specification

Model	Length	Depth	Height	Seat Height
High Back	76	76	99.50-108.80	44.50-53.80
Mid Back	76	76	90.50-99.80	44.50-53.80
Visitor	48.50	58.90	93.30	47.10

All sizes in CM

### Fabric Colour Swatch



### Body Colour Swatch



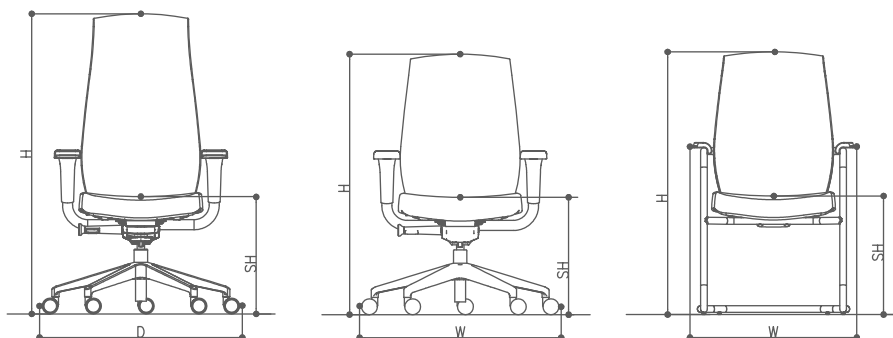
## SEATING/Cushion Back Chairs/**Versa Canvas**



### Features:

- **HEIGHT ADJUSTABLE BACK:** The contoured lumbar area can be adjusted to suit the user's back profile by adjusting the back height.
- **T-SPINE STRUCTURE:** This supports the contoured chair back, providing flexibility in the back height adjustment.
- **ACTIVE BIO SYNCHRO MECHANISM:** An auto back-tilt tension adjustment. This is based on a user's body weight in which the seat 'glide' function during tilting ensures proper lower back support.
- **COMFORTABLE AND HEALTHY SEATING:** Designed with an ergonomic contour, these provide form-fitting lumbar support ensuring comfortable and healthy seating.
- **HEIGHT ADJUSTABLE ARMS:** A personalized arm support with wide PU top arms offers firm support while performing any task. The wide PU Armtop ensures comfortable elbow rest without the need for swivel.
- **SEAT DEPTH ADJUSTMENT:** This allows the seat to be adjusted in a forward or backward position, enabling long-term comfort while performing multi-role tasks.

### Line Diagram



### Specification

Model	Length	Depth	Height	Seat Height
High Back	76.10	76.10	113.40-130.90	44.20-54.20
Mid Back	76.10	76.10	96.30-113.80	44.20-54.20
Visitor	60.90	64.30	98.20	44.60

All sizes in CM

### Colour Swatch



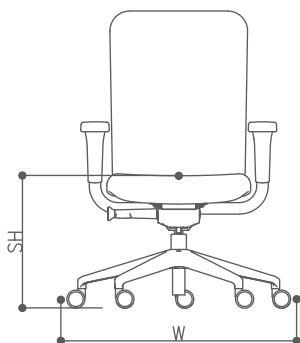
## SEATING/Cushion Back Chairs/**Versa Cushion**



### Features:

- **HEIGHT ADJUSTABLE BACK:** The contoured lumbar area can be adjusted to suit the user's back profile by adjusting the back height.
- **T-SPINE STRUCTURE:** This supports the contoured chair back, providing flexibility in the back height adjustment.
- **ACTIVE BIO SYNCHRO MECHANISM:** An auto back-tilt tension adjustment. This is based on a user's body weight in which the seat 'glide' function during tilting ensures proper lower back support.
- **COMFORTABLE AND HEALTHY SEATING:** Designed with an ergonomic contour, these provide form-fitting lumbar support ensuring comfort and healthy seating.
- **HEIGHT ADJUSTABLE ARMS:** A personalized arm support with wide PU top arms offers firm support while performing any task. The wide PU Armtop ensures comfortable elbow rest without the need for swivel.
- **SEAT DEPTH ADJUSTMENT:** This allows the seat to be adjusted in a forward or backward position, enabling long-term comfort while performing multi-role tasks.

### Line Diagram



### Specification

Model	Length	Depth	Height	Seat Height
Versa Chair	76.10	76.10	99.20-116.70	43.60-53.60

All sizes in CM

### Colour Swatch



Carbon  
Black



Ruby  
Red



Azure  
Blue



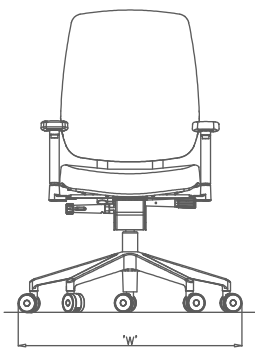
## SEATING/Cushion Back Chairs/**Gallop**



### Features:

- The standard chair has a height adjustable back (range 70mm) - which allows chair to expand / contract in height to provide the right ergonomic back and lumbar support to a wider range of people.
- The GALLOP chair is built on a unique Knee Tilt synchro mechanism platform... wherein, when the back tilts, the seat GLIDES in tandem with the back to ensure full contact and support of the user's lumbar area at all positions.
- The mechanism also has an user-friendly 5 position TILT LIMITER
- The 1:2 synchro mechanism has an 'Easy Reach' TILT TENSION KNOB to adjust the tilting force as per user's comfort requirement
- The seat has an IN-BUILT seat depth adjustment (range 60 mm) to make the seat depth bigger / smaller and provide the right fit to a wider range of people.

### Line Diagram



### Specification

Model	Length	Depth	Height	Seat Height
9T02AS/AX	76.10	76.10	98.70-115.70	47.50-57.50

All sizes in CM

### Colour Swatch

Refer VOILA range:  
V01, V02, V03, V04, V05, V06, V07, V08,  
V09, V10, V11, V12, V13, V14, V15, V16, V17

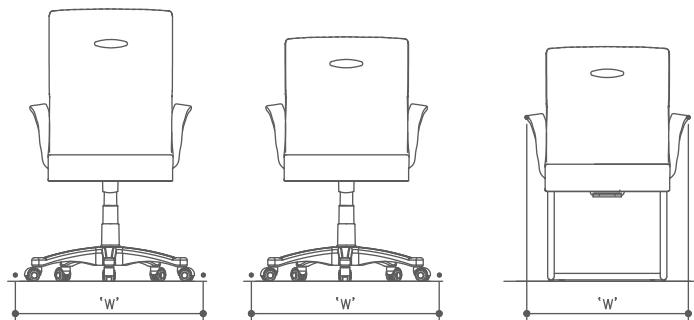
## SEATING/Cushion Back Chairs/**Bravo**



### Features:

- Thick cushion seat & back
- Wider contoured seat and back
- Centre Tilt Synchronous Mechanism with tilt tension adjustment
- Upright position
- Poly Propylene abuse resistive armrest
- 100% VOC free powder coating
- Designed for long life and easy part replacement.

### Line Diagram



### Specification

Model	Length	Depth	Height	Seat Height
High Back	76.30	76.30	97-109	42.50-54.50
Mid Back	76.30	76.30	85.50-97.50	42.50-54.50
Visitor	61.40	61.50	89.50	46.50

All sizes in CM

### Colour Swatch

Refer VOILA range:  
V01, V02, V03, V04, V05, V06, V07, V08,  
V09, V10, V11, V12, V13, V14, V15, V16, V17

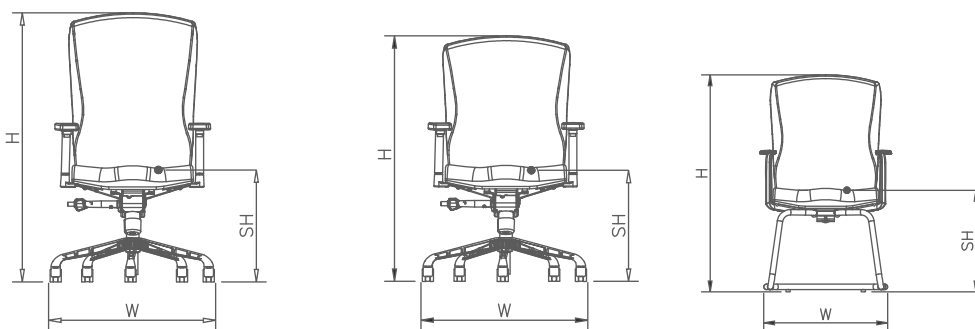
## SEATING/Cushion Back Chairs/Beat



### Features:

- Back height adjustment has a lever-less, drop-lift function for intuitive height adjustment while seated
- The trapezoidal back enables easy grip for back height adjustment
- Backrest adjustment and optional seat depth adjustment helps accommodate different body types
- The button underneath the arm pad enables arm height adjustment
- Multiple locking positions make it suitable for different tasks
- Contoured surfaces maximize body contact area and therefore maximize comfort
- Wide upper back and contoured seat ensures a comfortable seating experience
- Waterfall seat edge reduces pressure behind the knees, encouraging blood circulation.

### Line Diagram



### Specification

Model	Length	Depth	Height	Seat Height
High Back	76.10	76.10	102-119	45-55
Mid Back	76.10	76.10	92-110	45-55
Visitor	57.50	58.20	100.80	47

All sizes in CM

### Colour Swatch



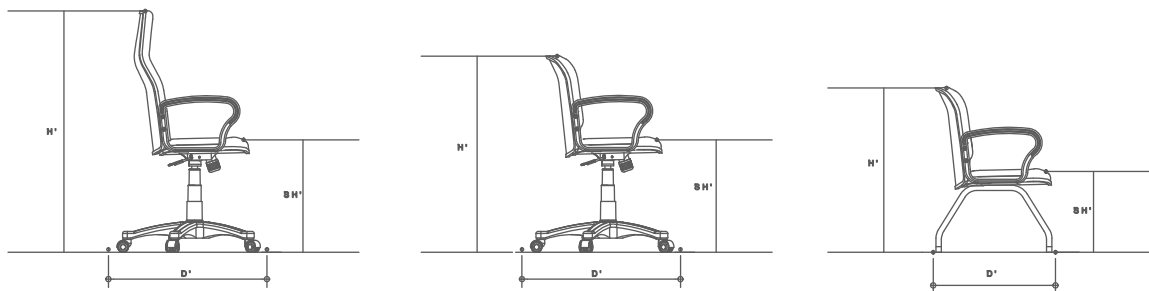
## SEATING/Cushion Back Chairs/**Earl**



### Features:

- Designer shaped back aesthetic look & feel
- Its centre tilt mechanism with upright position locking ensures constant back support
- Soft to fixed PU arms to ensure support to forearms to the user
- Completes earl family & is an easy option for cabin area seating to suit all hierarchical needs.

### Line Diagram



### Specification

Model	Length	Depth	Height	Seat Height
High Back	76.30	76.30	100.90-122.90	43.40-55.40
Mid Back	76.30	76.30	78.40-90.40	43.40-55.40
Visitors	55	58	84	45

All sizes in CM

### Colour Switch

Refer VOILA range:  
V01, V02, V03, V04, V05, V06, V07, V08,  
V09, V10, V11, V12, V13, V14, V15, V16, V17

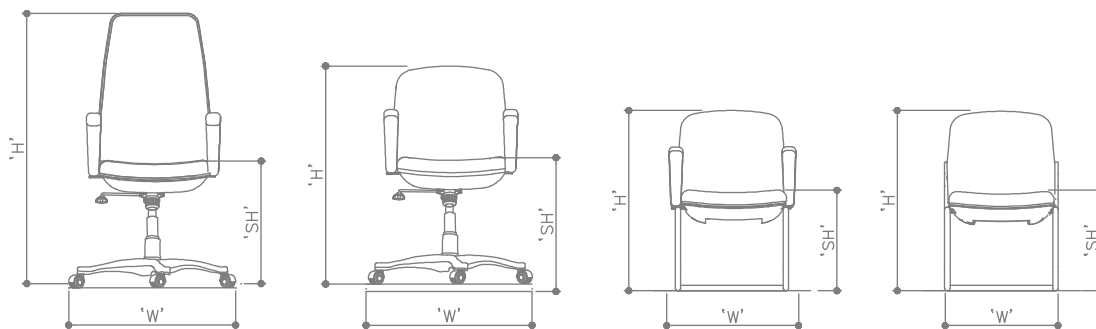
## SEATING/Cushion Back Chairs/**Regency**



### Features:

- Center Tilt Mechanism
- Tilt Locking
- Moulded Foam
- 100% VOC free powder coating
- 99% recyclable

### Line Diagram



### Specification

Model	Length	Depth	Height	Seat Height
PCH-7001D	76.30	76.30	103.30-115.30	44.20-54.20
PCH-7002D	76.30	76.30	78.50-90.50	44.20-54.20
PCH-7003D	59	63	81.50	45
PCH-7004D	52.50	63	87.50	45

All sizes in CM

### Colour Swatch

Refer VOILA range:  
V01, V02, V03, V04, V05, V06, V07, V08,  
V09, V10, V11, V12, V13, V14, V15, V16, V17

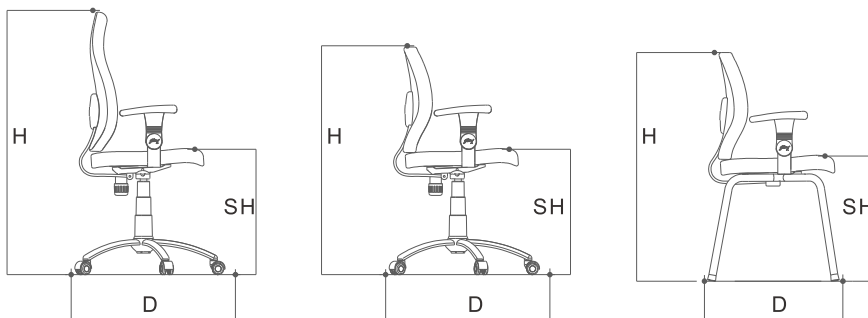
## SEATING/Cushion Back Chairs/**Economy Executive**



### Features:

- **PERMANENT CONTACT MECHANISM:** The chair has an option of a permanent contact mechanism, which allows the back to flex naturally as you recline, for maximum comfort and relief.
- **CHANGEABLE UPHOLSTERY:** Available with a wide range of colors, as you can change the upholstery to the color of your own choice.
- **MOULDED FOAM:** The seat and the backrest are made up of moulded polyurethane foam of the right density and thickness, which not only gives you a soft feeling on first contact but also provides a firm support to ensure hours of comfortable sitting.
- **PNEUMATIC HEIGHT ADJUSTMENT:** At a press of a lever, you can adjust the seat of the chair to your required height, thanks to the advanced pneumatic height adjustment facility. It also provides a cushioning effect each time you sit, preventing sudden jerks to your body.
- **SWIVEL MECHANISM:** The Swivel Mechanism allows for a complete 360 degree lateral movement. This prevents you from straining over your shoulders and back to reach out for papers and phones kept on either side of your table, ensuring mobility while working.

### Line Diagram



### Specification

Model	Length	Depth	Height	Seat Height
High Back	70	70	100.80-112.80	43.40-55.40
Mid Back	70	70	86.10-98.10	43.40-55.40
Visitor	59	58	88	45

All sizes in CM

### Colour Swatch

Refer VOILA range:  
V01, V02, V03, V04, V05, V06, V07, V08,  
V09, V10, V11, V12, V13, V14, V15, V16, V17

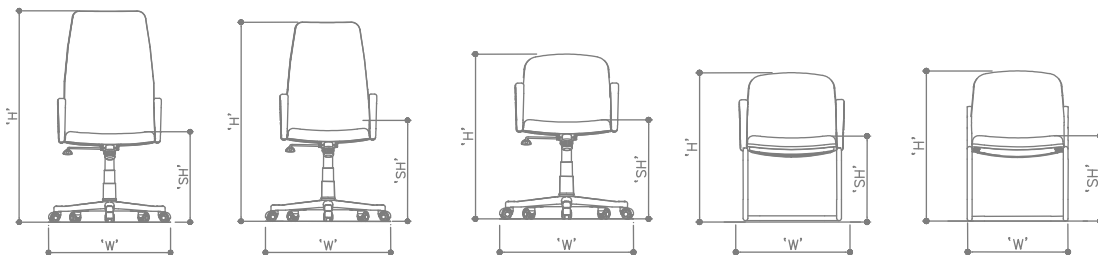
## SEATING/Cushion Back Chairs/**Premium Executive**



### Features:

- Ergonomic designed fabric upholstered DESK chair
- Built-in lumbar support
- Center tilt mechanism with upright locking
- Pneumatic seat height adjustment raises and lowers chairs quickly and easily
- Fixed loop arms
- Sled based visitor chairs.

### Line Diagram



### Specification

Model	Length	Depth	Height	Seat Height
PCH-7000	76.30	76.30	117.50-129.50	41-53
PCH-7001	76.30	76.30	100-112	41-53
PCH-7002	76.30	76.30	77.50-89.50	41-53
PCH-7003	55	61	80.50	44
PCH-7004	52.50	61	80.50	44

All sizes in CM

### Colour Swatch

Refer VOILA range:  
V01, V02, V03, V04, V05, V06, V07, V08,  
V09, V10, V11, V12, V13, V14, V15, V16, V17

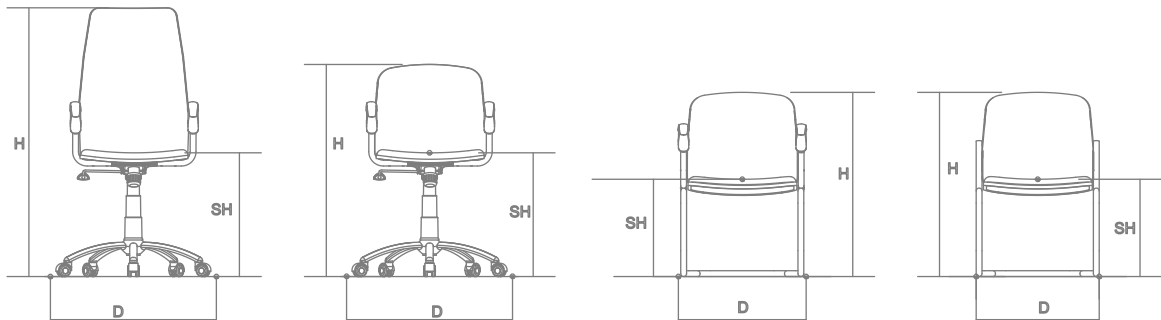
## SEATING/Cushion Back Chairs/**Premier**



### Features:

- Pneumatic seat height adjustment - 125mm
- Centre tilt mechanism • Upright position locking
- Tilt tension adjustment • Comfortable fixed armrest
- Cushioned seat & back • 5-pronged metal pedestal

### Line Diagram



### Specification

Model	Length	Depth	Height	Seat Height
PCH-7101	70	70	102.40-113.40	42.40-53.40
PCH-7102R	70	70	79.90-90.90	42.40-53.40
PCH-7112	52.50	61	80	43
PCH-7112R	55	61	80	43

All sizes in CM

### Colour Swatch

Refer VOILA range:  
V01, V02, V03, V04, V05, V06, V07, V08,  
V09, V10, V11, V12, V13, V14, V15, V16, V17



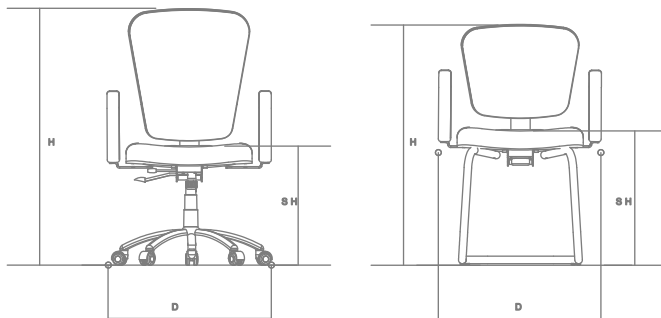
## SEATING/Cushion Back Chairs/**Starr**



### Features:

- The contour seat & back provides comfortable seating & is ideal for administrative work
- Dished loop arms to give distinct look to chair
- Permanent contact mechanism with upright position locking ensures constant back support to the user.

### Line Diagram



### Specification

Model	Length	Depth	Height	Seat Height
PCH-5D02RX	65	65	87.90-99.90	43.40-55.40
PCH-5D13RX	55.50	53	81.50	45

All sizes in CM

### Colour Swatch

Refer VOILA range:  
V01, V02, V03, V04, V05, V06, V07, V08,  
V09, V10, V11, V12, V13, V14, V15, V16, V17

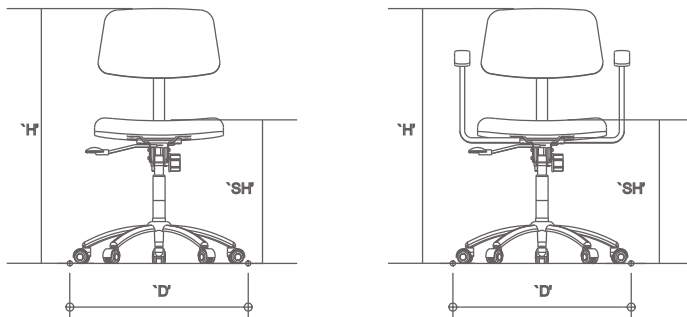
## SEATING/Cushion Back Chairs/Task Chairs



### Features:

- 5-pronged base for better stability
- 360 degree swivel mechanism and twin-wheel castors for free movement
- A backrest height adjustment to suit your individual needs
- A pivoted backrest to provide you with support while changing postures
- Specially designed plastic back cover to give a modern, aesthetic look
- A pneumatic mechanism for seat height adjustment and to provide a cushioning effect every time you sit

### Line Diagram



### Specification

Model	Length	Depth	Height	Seat Height
PCH 4103	65	65	69.10-89.10	43-54
PCH 41031	65	65	69.10-89.10	43-54

All sizes in CM

### Colour Swatch

Refer VOILA range:  
V01, V02, V03, V04, V05, V06, V07, V08,  
V09, V10, V11, V12, V13, V14, V15, V16, V17

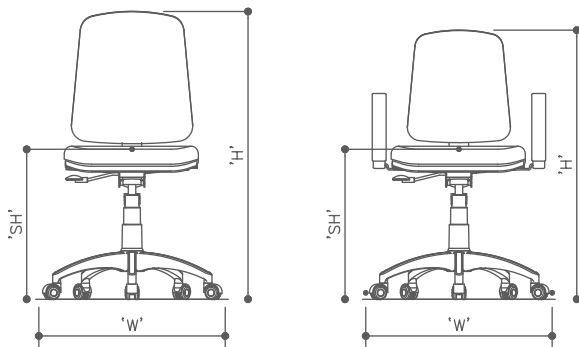
## SEATING/Cushion Back Chairs/**Div**a



### Features:

- Mid-sized TASK chair - fabric upholstery
- 'S' profile back provides excellent lumbar support
- Permanent Contact Tilt mechanism follows back while reclining and straightening
- Pneumatic seat height adjustment raises and lowers chairs quickly and easily
- ABS cladding on seat and back increases durability
- Fixed Loop / Adjustable T-arms
- 5-star nylon base with twin wheel castors.

### Line Diagram



### Specification

Model	Length	Depth	Height	Seat Height
7045	71	71	86.10-97.10	43-54
7042R	71	71	80.10-91.10	43-54
7043	45	54	88.50	49.50
7044T	56	54	88.50	49.50

All sizes in CM

### Colour Swatch

Refer VOILA range:  
V01, V02, V03, V04, V05, V06, V07, V08,  
V09, V10, V11, V12, V13, V14, V15, V16, V17



# Training Room Chairs

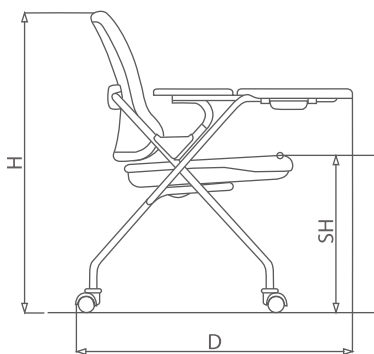
## SEATING/Training Room Chairs/**Scintilla Desklet**



### Features:

- **UNIQUE BACK-TILT:** A unique back-tilt feature allows an upright as well as relaxed angle, thus reducing pressure on the inter-vertebral discs during long training sessions.
- **MOTHER'S HUG:** Derived from the Mother's Hug, the body hugging contours comfortably supports you back.
- **LARGE CURVED FLIP-UP DESKLET:** The scratch-resistant large Flip-up desklet with been shaped inner curve makes the chair comfortable for different body types and supports analogue and digital resources.
- **BROAD ARMREST:** Scratch-resistant broad armrest ensures proper comfort to arms during long sitting hours.
- **BRAKE CASTORS:** Brake castors in the desklet version ensures firm grip on floor while one is seated and facilitates various room layouts unoccupied with its mobility.
- **HORIZONTAL STACKABILITY:** Tip-up seat ensures horizontal stackability thereby releasing used space for others' purposes.

### Line Diagram



### Specification

Model	Length	Depth	Height	Seat Height
Scintilla with desklet	66.50	84	89	47.50

All sizes in CM

### Colour Swatch



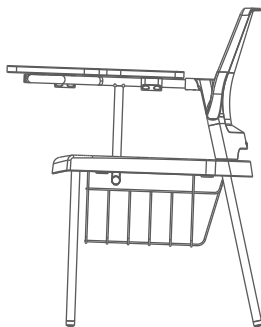
## SEATING/Training Room Chairs/**Unwind**



### Features:

- **LIGHT AND PORTABLE:** Light-weight construction makes it easy to move around.
- **CUSHION-FRIENDLY:** Can accommodate a cushion to add to seating comfort.
- **STORAGE:** Sturdy wire basket to store your belongings.
- **ADJUSTABLE & NON-LIPPED DESK:** Desklet slides forward or backward to accommodate different size users.
- **EASY TO MAINTAIN:** Clean, flat surfaces make it easy to clean and maintain.  
The poly-propylene edging is in-situ injection moulded along with the desklet thereby preventing peel-off issues.

### Line Diagram



### Specification

Model	Length	Depth	Height	Seat Height
With Desklet	57.50	67.80	84.50	45

All sizes in CM

### Colour Swatch



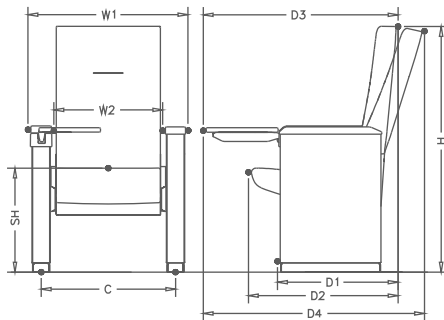
## SEATING/Training Room Chairs/Mars with Desklet



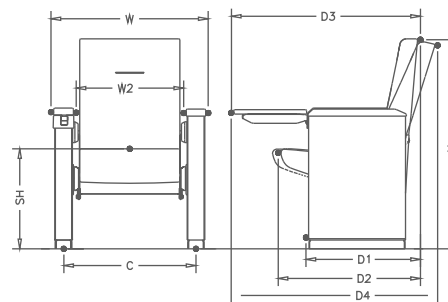
### Features:

- **UPHOLSTERY:** The upholstery follows the seat and back contours through a unique stitching technique. This technique avoids glue usage over the fabric surface, thereby reducing VOC emissions.
- **AUTO SEAT TIP UP:** The seat tilts up when not in use, ensuring ease of movement between rows.
- **MECHANISM:** MARS is available with Flexi-back feature or Synchro Slide feature, ensuring the chair adjusts to the user's need.
- **DESKLET:** The desklet is optimized for accommodating notepads and some standard laptops. A user-friendly holder spans across the length of the desklet, making taking out and putting away of the desklet easy and ergonomic.

### Line Diagram



Flexi-back with Desklet (HB)



Synchro Slide with Desklet (MB)

### Specification

Model	Centre To Centre	Width (W1)	Width (W2)	Seat Height (SH)	Height (H)
Flexi-back with Desklet (HB/MB)	58.70	67.50	50.70	45.50	107.30/95.30
	<b>Depth (D1)</b>	<b>Depth (D2)</b>	<b>Depth (D3)</b>	<b>Depth (D4)</b>	
	50.50/50	63/62	83.60/82.70	97.60/93.70	
Model	Centre To Centre	Width (W1)	Width (W2)	Seat Height (SH)	Height (H)
Synchro Slide with Desklet (HB/MB)	61	69.90	52.10	45.50	107.30/95.30
	<b>Depth (D1)</b>	<b>Depth (D2)</b>	<b>Depth (D3)</b>	<b>Depth (D4)</b>	
	50.50/49.50	63/62	84.50/83.50	95.50/92	

### Colour Swatch



Azure  
Blue



Red



Carbon  
Black

All sizes in CM



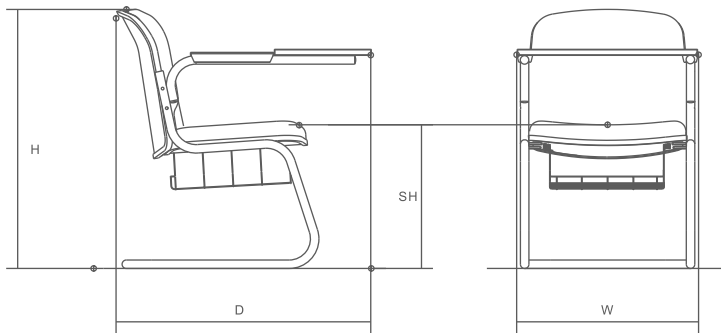
## SEATING/Training Room Chairs/7004 with desklet



### Features:

- Cushioned back and seat
- Weather and scratch-resistant armrest
- Can be used in training classrooms or training rooms
- Comes with full desklet and paper tray

### Line Diagram



### Specification

Model	Length	Depth	Height	Seat Height
PCH-7004XD	54	81	80.50	44

All sizes in CM

### Colour Swatch

Refer VOILA range:  
V01, V02, V03, V04, V05, V06, V07, V08,  
V09, V10, V11, V12, V13, V14, V15, V16, V17

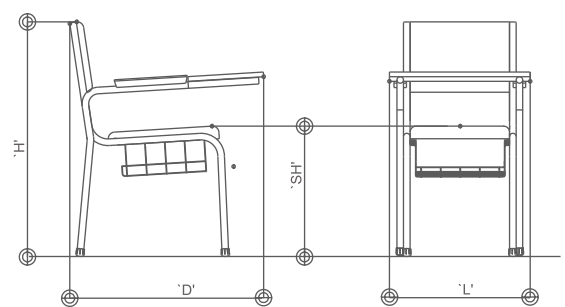
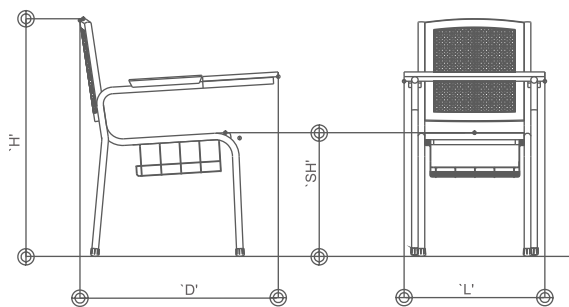
## SEATING/Training Room Chairs/CH 18B & 18C



### Features:

- CH18B comes with a knitted cane seat while CH18C comes with Synthetic leather upholstery
- Scratch and weather-resistant armrests
- Comes with a full desklet and paper tray
- Can be used in classrooms and training rooms.

### Line Diagram



### Specification

Model	Length	Depth	Height	Seat Height
CH 18B	54	68.50	85.50	45
CH 18C	54	67.50	85.50	48

All sizes in CM

### Colour Swatch





**Multipurpose**

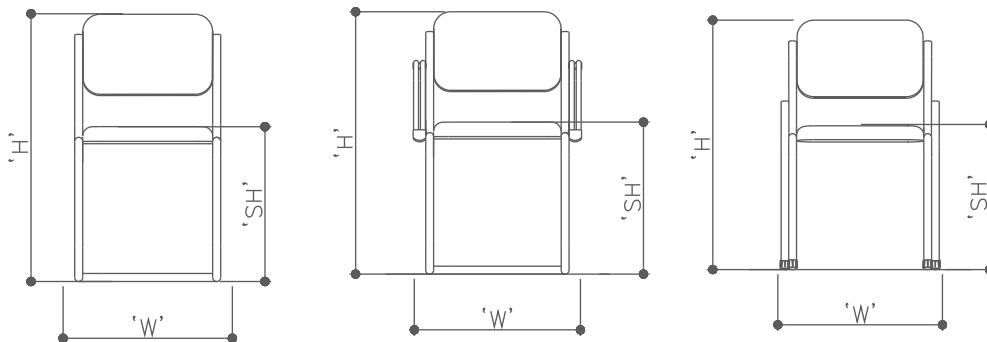
## SEATING/Multi-purpose/1018/1004/1007



### Features:

- Multi-purpose Visitor seating
- Ideal for Conference Rooms, Seminar Rooms, complementing Desk seating
- Sturdy tubular steel understructure
- Padded seat and back for increased comfort.

### Line Diagram



### Specification

Model	Length	Depth	Height	Seat Height
1004	46.50	59.50	82.50	46
1007	54	59.50	82.50	46
1018	52	60.50	78.50	45.50

All sizes in CM

### Colour Swatch

Refer VOILA range:  
V01, V02, V03, V04, V05, V06, V07, V08,  
V09, V10, V11, V12, V13, V14, V15, V16, V17

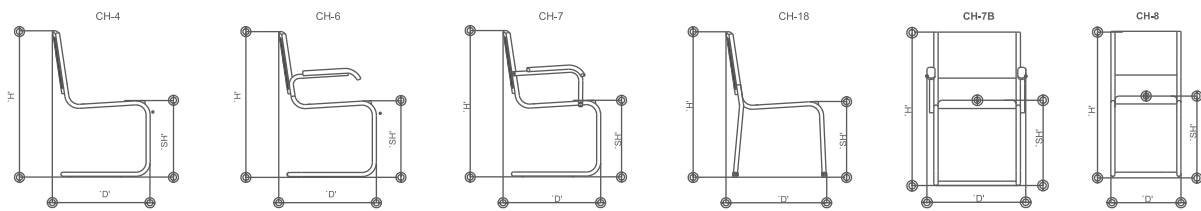
## SEATING/Multi-purpose/CH series



### Features:

- Sturdy, dependable and economically priced, Godrej office chairs are specially designed for demanding working conditions
- Seamlessly combining wood and tubular steel, Godrej office chairs help to create flexible space
- The seat and back are crafted from durable quality hardwood and finely finished for an attractive appearance
- The chairs are robust in design for resulting in static and impacts loads to give a remarkable cushioning effect.

### Line Diagram



### Specification

Model	Length	Depth	Height	Seat Height
Classic CH-4	43.10	57.50	88	45
Classic CH-6	50	57.50	88	45
Classic CH-7	58	57.50	88	45
Classic CH-7B	58	56.50	87.50	48
Classic CH-8	43.50	56.50	87.50	48
Classic CH-18	48.50	60.50	86	45

All sizes in CM

### Colour Swatch



Grey

Brown

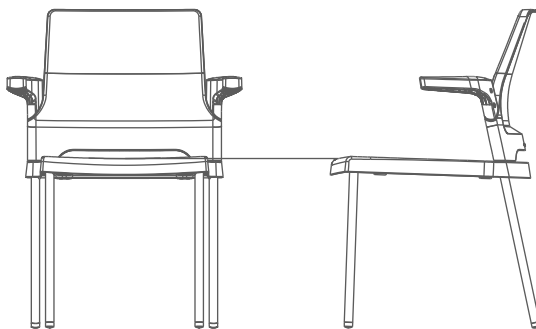
## SEATING/Multi-purpose/**Unwind with armrest**



### Features:

- **LIGHT AND PORTABLE:** Lightweight construction makes it easy to move around.
- **CUSHION-FRIENDLY:** Can accommodate a cushion to add to seating comfort.
- **STACKABLE:** Can be easily stacked to save more space.
- **EASY TO MAINTAIN:** Clean, flat surfaces make it easy to clean and maintain.  
The poly-propylene edging is in-situ injection moulded along with the desklet thereby preventing peel-off issues.

### Line Diagram



### Specification

Model	Length	Depth	Height	Seat Height
With armrest	62.30	55.80	84.50	45

All sizes in CM

### Colour Swatch



Aqua  
Blue



Orchid  
White



Marigold  
Yellow



Raspberry  
Red



Fresh  
Lime

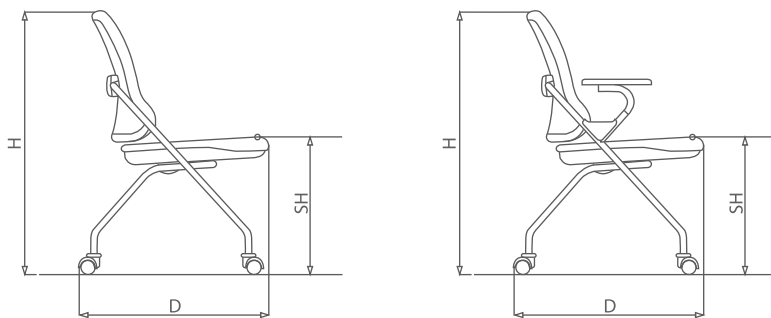
## SEATING/Multi-purpose/**Scintilla with and without armrest**



### Features:

- **UNIQUE BACK-TILT:** A unique back-tilt feature allows an upright as well as relaxed angle, thus reducing pressure on the inter-vertebral discs during long training sessions
- **MOTHER'S HUG:** Derived from the Mother's Hug, the body hugging contours comfortably supports your back
- **BROAD ARMREST:** Scratch resistant broad armrest ensures proper comfort to arms during long sitting hours
- **BRAKE CASTORS:** Brake Castors in the desklet version ensures firm grip on floor while one is seated and facilitates various room layouts unoccupied with its mobility
- **HORIZONTAL STACKABILITY:** Tip-up seat ensures horizontal stackability thereby releasing used space for others purposes.

### Line Diagram



### Specification

Model	Length	Depth	Height	Seat Height
Scintilla with arms	64.40	64.50	89	47.50
Scintilla without arms	64.40	64.50	89	47.50

All sizes in CM

### Colour Swatch



Pure  
Blue



Navy  
Blue



Black



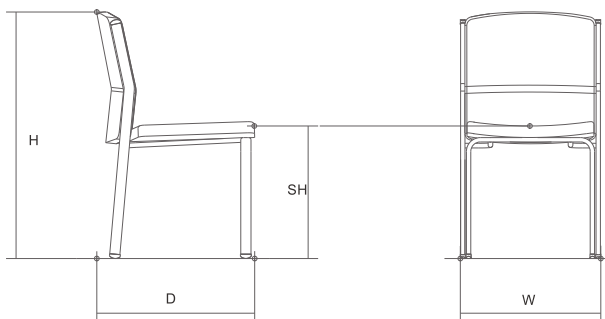
## SEATING/Multi-purpose/1112



### Features:

- Sleek and Sturdy Fabric Upholstered Desk chair
- ZIP-ON changeable upholstery on back
- Four legged elliptical tube understructure.

### Line Diagram



### Specification

Model	Length	Depth	Height	Seat Height
Attire 1112	48	57	84	45

All sizes in CM

### Colour Swatch

Refer VOILA range:  
V01, V02, V03, V04, V05, V06, V07, V08,  
V09, V10, V11, V12, V13, V14, V15, V16, V17



# Cafeteria/ Breakout Seating

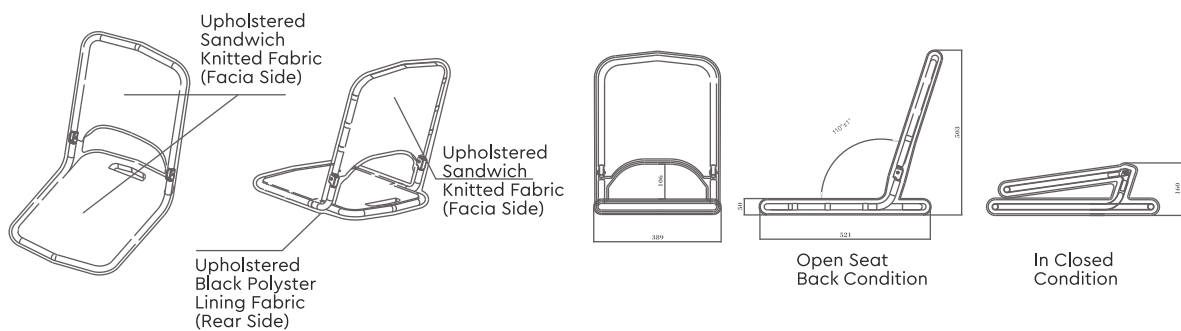
## SEATING/Cafeteria/ Breakout Seating/**EezySit**



### Features:

- Stylish design makes it look sleek and elegant
- Portable, foldable and lightweight, hence easier to carry
- Multi-purpose in function – can be used occasionally in office or at home
- Firm back support & twin layer breathable fabric for extra comfort

### Line Diagram



### Specification

Model	Length	Depth	Height
Open	50.50	37.50	48
Closed	50.50	37.50	14

All sizes in CM

### Colour Swatch



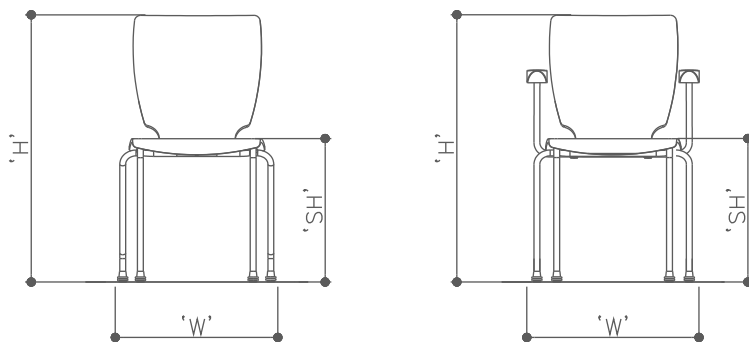
## SEATING/Cafeteria/ Breakout Seating/**Staq**



### Features:

- Multi-purpose chairs made of single piece molded plywood seat-back
- Waterfall edge on seat
- Beautiful veneer finish adds warmth to the room
- Strong steel tube powder coated understructure
- Available on 5-star swivel base with twin wheel castors for easy mobility or as 4-leg visitor chair.

### Line Diagram



### Specification

Model	Length	Depth	Height	Seat Height
4012XW Without armrest	51.50	54	83.50	44
4012IW With armrest	55.50	54	83.50	44

All sizes in CM

### Colour Swatch



Mahogany Teakwood

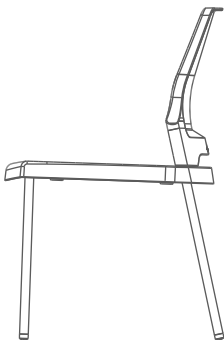
SEATING/Cafeteria / Breakout Seating/**Unwind without armrest**



**Features:**

- **LIGHT AND PORTABLE:** Lightweight construction makes it easy to move around.
- **CUSHION-FRIENDLY:** Can accommodate a cushion to add to seating comfort.
- **STACKABLE:** Can be easily stacked to save more space.
- **EASY TO MAINTAIN:** Clean, flat surfaces make it easy to clean and maintain.  
The poly-propylene edging is in-situ injection moulded along with the desklet thereby preventing peel-off issues.

**Line Diagram**



**Specification**

Model	Length	Depth	Height	Seat Height
MS and SS	52.50	55.80	84.50	45

All sizes in CM

**Colour Swatch**





# Public Seating



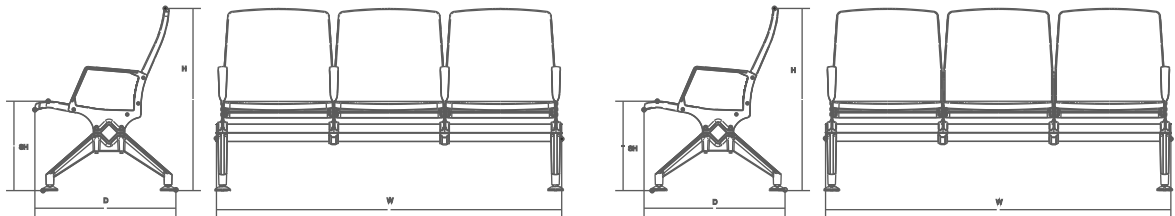
## SEATING/Public Seating/Air



### Features:

- Wide seats and an open seat-to-back angle keep users comfortable for a long time
- The contoured seat and back with high density self-skin PU foam offers good support for long hours of seating
- Absence of steel prevents cold shock and helps waiting comfortably for up to 4 hours.

### Line Diagram



### Specification

Model	Length	Depth	Height	Seat Height
AIRBLK3ST2 & 4	165.50	66.50	87	42.50

All sizes in CM

### Colour Swatch



Black

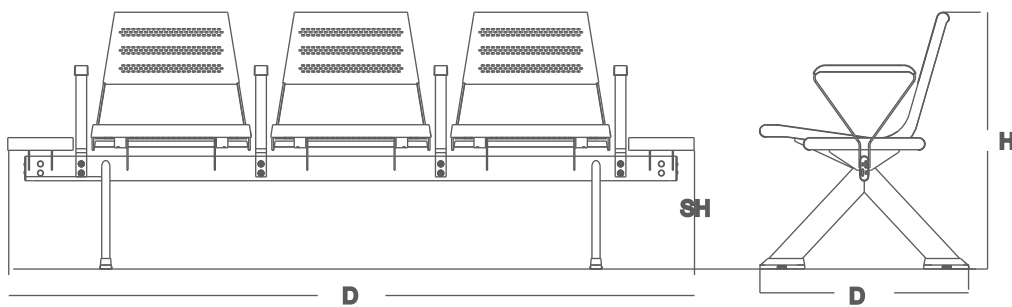
## SEATING/Public Seating/**Matrix**



### Features:

- Wide seat & ergonomic back form ensures relaxed posture. Seat shell has rounded edge profile eliminating sharp edges safety of user.
- It has 32 possible configurations that meet all types of needs. Also unique leveling shoe design with integrated aligners to adjust for uneven floors.
- Option for Hospital/Clinics: Anti-bacterial powder coating finish keeps product free of microbial growth & spreading infections.

### Line Diagram



### Specification

Model	Length	Depth	Height	Seat Height
MTX2XX/MTX2IX	114.50	63.80	78.50	44.10
MTX2XS/MTX2IS	155	63.80	78.50	44.10
MTX3XX/MTX3IX	169.50	63.80	78.50	44.10
MTX3XS	210	63.80	78.50	44.10
2 Seater	155	63.80	78.50	46.40

All sizes in CM

### Colour Swatch



TA. White

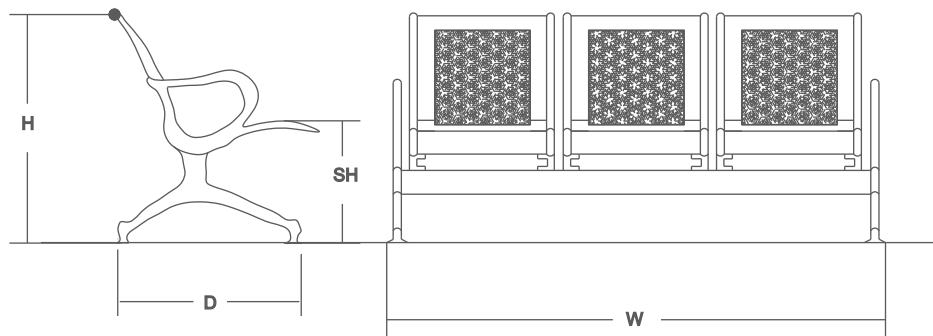
## SEATING/Public Seating/**Perch**



### Features:

- LEG AND ARMREST: Chrome plated made of cold rolled steel, for long life and aesthetics
- The seat is available in option of with or without cushion
- The cushion (optional) is upholstered with PU Foam and Leather Cloth / Cloth on a Plywood for better comfort
- Stain resistant leather cloth and chrome plated surface for enhanced aesthetic life of the product.

### Line Diagram



### Specification

Model	Length	Depth	Height	Seat Height
Without Armrest	183	67	77.50	40
With Armrest	183	67	77.50	40

All sizes in CM

### Colour Swatch



Hoary

## SEATING/Public Seating Chairs/**Unwind**



### Features:

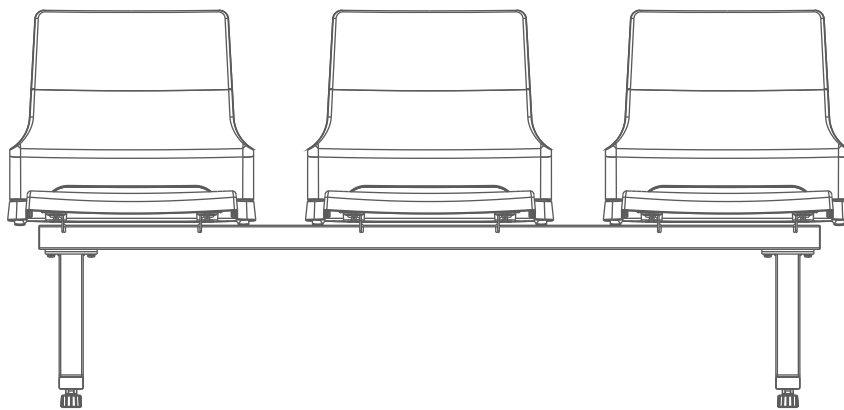
**LIGHT AND PORTABLE:** Lightweight construction makes it easy to move around.

**CUSHION-FRIENDLY:** Can accommodate a cushion to add to seating comfort.

**EASY TO MAINTAIN:** Clean, flat surfaces make it easy to clean and maintain.

The poly-propylene edging is in-situ injection moulded along with the desklet thereby preventing peel-off issues.

### Line Diagram



### Specification

Model	Length	Depth	Height	Seat Height
Beam Seating	178.40	56.30	84	45.20

All sizes in CM

### Colour Swatch



Aqua  
Blue



Orchid  
White



Marigold  
Yellow



Raspberry  
Red



Fresh  
Lime



# Lounge Seating

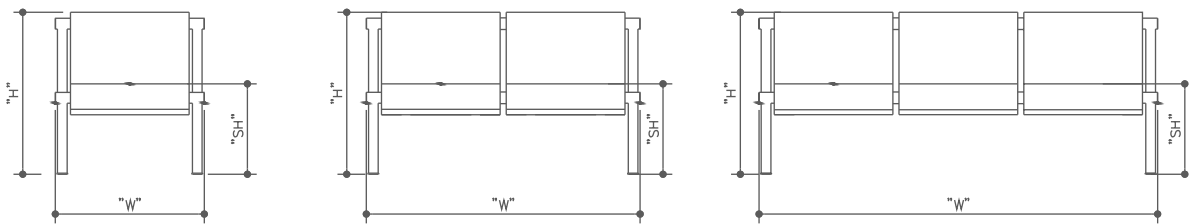
## SEATING/Lounge Seating/**Midas**



### Features:

- High Quality Chrome plated steel tubes
- Can withstand up to 1000 hrs of salty environment without rusting
- Stain-repellent, Abrasion-resistant fabric
- Changeable cushion covers

### Line Diagram



### Specification

Model	Length	Depth	Height	Seat Height
Midas 1 Str	68.40	77.50	74.50	41.50
Midas 2 Str	125.70	77.50	74.50	41.50
Midas 3 Str	183	77.50	74.50	41.50

All sizes in CM

### Colour Swatch



Bark  
Coffee



Slate  
Grey



Indigo  
Blue



Black



Dark  
Chocolate

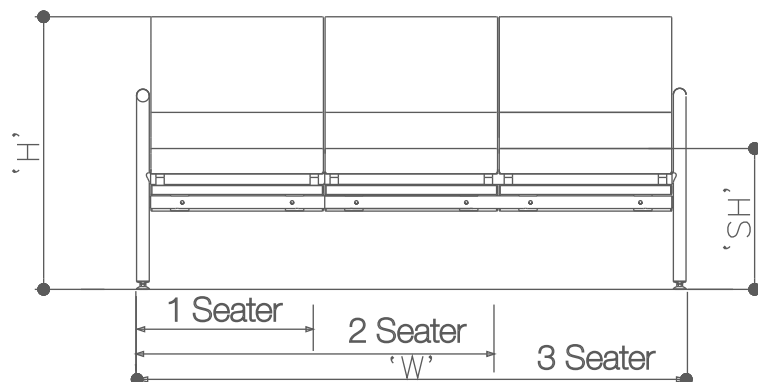
## SEATING/Lounge Seating/Premium Lounge



### Features:

- Slim seat and back-sleek design • Designer metallic understructure
- Back flexing (Individual flexing for all the backs - in a 2 or 3 seater chair)
- Easily changeable upholstery • Glide screws at the bottom for level adjustment in case of uneven surface.

### Line Diagram



### Specification

Model	Length	Depth	Height	Seat Height
1 Seater	60.50	70	78.50	43.50
2 Seater	113	70	78.50	43.50
3 Seater	164	70	78.50	43.50

All sizes in CM

### Colour Swatch

Refer VOILA range:  
V01, V02, V03, V04, V05, V06, V07, V08,  
V09, V10, V11, V12, V13, V14, V15, V16, V17



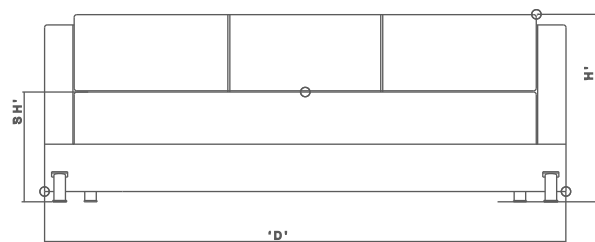
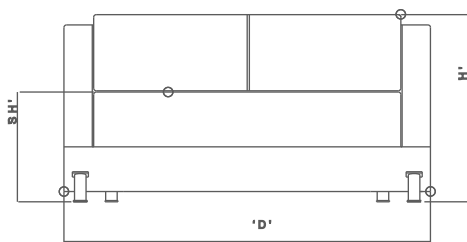
## SEATING/Lounge Seating/**Pisa**



### Features:

- Pisa is an office sofa, yet it gives a homely feel. Elegant, fresh and eye-catching with a style that's classically clean, it creates an inviting comfortable intimacy that puts people at ease so they can perform better. It gives ergonomic back support with a design based on Indian Anthropometric data.
- The Frame structure is made up of moisture, termite & borer resistant plywood. The spring assembly is attached on this plywood frame for additional cushioning purpose.
- Upholstered with soft, fine finish and durable shaneel fabric. The fabric has features like wear & tear resistance, colour fastness, high durability, soft touch and fine finish. Leatherette in Black colour is also available which is easy on maintenance.

### Line Diagram



### Specification

Model	Length	Depth	Height	Seat Height
1 Seater	86	90.50	85.50	45
2 Seater	146	90.50	85.50	45
3 Seater	206	90.50	85.50	45

All sizes in CM

### Colour Swatch



Slubby Maroon +  
Slubby Stone Grey



Slubby Scuba +  
Slubby Stone Grey



Slubby Chocolate +  
Slubby Stone Grey

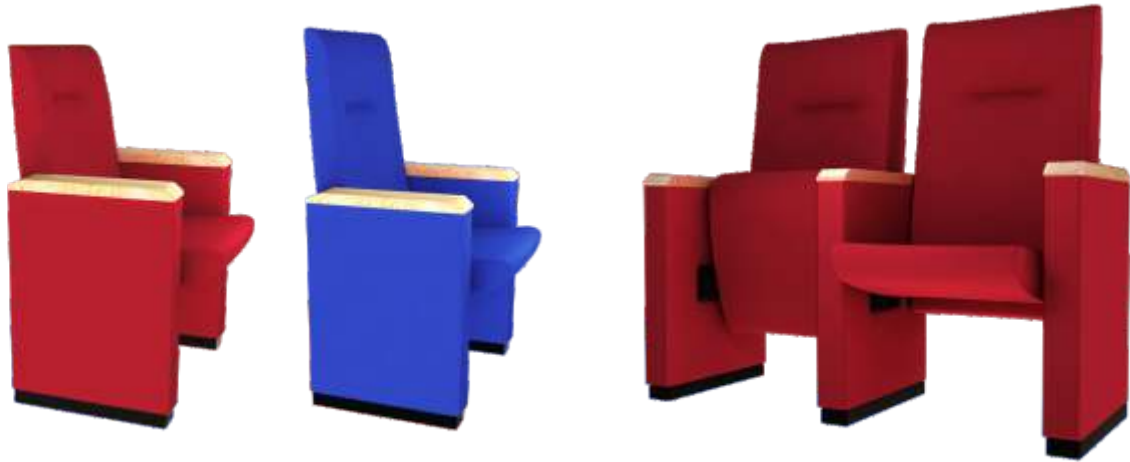


Jet Black  
(Leatherite)



# Auditorium Seating

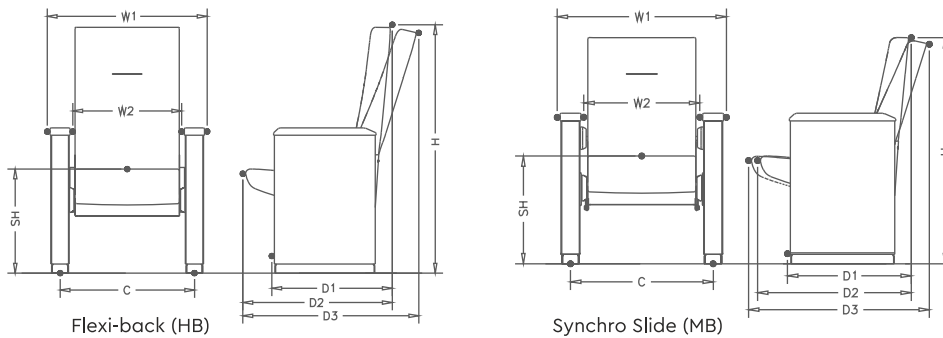
## SEATING/Auditorium Seating/Mars



### Features:

- **UPHOLSTERY:** The upholstery follows the seat and back contours through a unique stitching technique. This technique avoids glue usage over the fabric surface, thereby reducing VOC emissions.
- **AUTO SEAT TIP UP:** The seat tilts up when not in use, ensuring ease of movement between rows.
- **MECHANISM:** MARS is available with Flexi-back feature or Synchro Slide feature, ensuring the chair adjusts to the user's need.

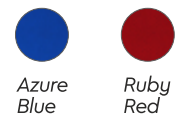
### Line Diagram



### Specification

Model	Centre To Centre	Width (W1)	Width (W2)	Seat Height (SH)
Flexi-back	58.70	67.50	50.70	45.50
(HB/MB)	<b>Depth (D1)</b>	<b>Depth (D2)</b>	<b>Depth (D3)</b>	<b>Height (H)</b>
	50.50/50	63/62	77/73	107.30/95.30
Synchro Slide	<b>Centre To Centre</b>	<b>Width (W1)</b>	<b>Width (W2)</b>	<b>Seat Height (SH)</b>
(HB/MB)	61	69.90	52.10	45.50
	<b>Depth (D1)</b>	<b>Depth (D2)</b>	<b>Depth (D3)</b>	<b>Height (H)</b>
	50.50/49.50	63/62	80/76.80	107.30/95.30

### Colour Switch



All sizes in CM

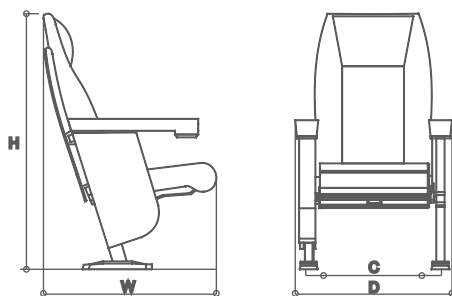
## SEATING/Auditorium Seating/**Glamour**



### Features:

- Injection Molded seat and back cover add to the contemporary styling and life of the chair
- Auto Tip-up Mechanism allows for better aisle space utilization in an auditorium; while making it easy for the user to operate
- Choose from two optional armrest PU top, soft & smooth top armrest; and PU armrest with cup holder
- The foam laminated stretchable fire retardant fabric upholstery is available in a choice of two colours Azure Blue & Ruby Red
- Application areas can be installed in all linear layout space plans.

### Line Diagram



### Specification

Model	Length	Depth	Height	Seat Height
2751 with Cup Holder	64 (54.60 c/c)	67.50	107	43

All sizes in CM

### Colour Swatch



Azure  
Blue



Ruby  
Red

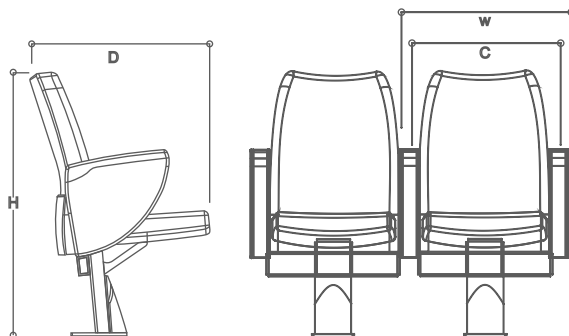
## SEATING/Auditorium Seating/**Jupiter**



### Features:

- Understructure fixed to ground by foundation expansion bolts for greater stability
- Armrest understructure is upholstered PU foam molded with MS insert and Arm tops are made of seasoned wood for more aesthetics and comfort
- Modern as well as highly functional and aesthetically appealing auditorium seating suitable for modern interiors of a modern auditorium.

### Line Diagram



### Specification

Model	Length	Depth	Height	Seat Height
High back (Individual arm)	60	64	101	46.50
High back (Common arm)	53	64	101	46.50
Mid back (Individual arm)	60	69	89	46.50
Mid back (Common arm)	53	69	89	46.50
Mid back with Desklet (Individual arm)	60	82	89	46.50
Mid back with Desklet (Common arm)	54	82	85	46.50

All sizes in CM

### Colour Swatch

Refer VOILA range:  
V01, V02, V03, V04, V05, V06, V07, V08,  
V09, V10, V11, V12, V13, V14, V15, V16, V17



OPOS



# Mobile Systems



## OPOS/Mobile Systems/**Habitat**



### Features:

- Habitat is a complete offering for creating an office ecosystem with modular furniture
- It is ideal for workplace solutions where design aesthetics, functionality and sustainability is the concept
- It is designed for workspaces which are seeking Immediate Flexibility and re-configurability in the layouts, which can be done by the user instantly as per their space utility requirements
- The elements of Habitat include the WISH low height system, WALL full height, Mobile FOLD Tables, Media Unit-Mimo, ETHOS Task Light, Mobile Marker Board Screens along with mobile power posts

### Various Elements of Habitat



Mimo (Mobile interactive media unit)  
(front)



Mimo (Mobile interactive media unit)  
(back)



Mobile marker board screen



Portable power post



Ethos Tasklight (floor-mounted)



Ethos Tasklight (desk-mounted)



Fold Table

Accessories:



Name Plate



CPU Holder



Open Shelf (single)



Open Shelf (double)



OPOS



# Tile Based Systems

## OPOS/Tile Based Systems/**Wish**



### Features:

- Wish is a Gapless, Design-differentiated, Unique Modular workstation system incorporating the sturdiness of a panel based and the wire management capabilities of a tile based modular workstation system
- It can cater to creative layouts with flexible possibilities for workspace designs
- WISH is so versatile due to its simple design. It grants a contemporary look to the creatively designed layout
- Its horizontal band looks in the panels to the feeling of expanse the workspace
- Its design integrated accessories and storage options accentuate the aesthetics and functionality of the workstation

## OPOS/Tile Based Systems/**Stallion Plus**



### Features:

- A Sturdy partition system with a thicker panel for more wiring capabilities, SMART is the choice when it comes to office furniture
- Interchangeable tile finishes, add to its versatility and its capability to create vibrant interiors
- It can also seamlessly connect to RESERVE storages to make better utility of the available floor space, while taking care of the functional and aesthetics of the workplace

## OPOS/Tile Based Systems/**Spacio Plus**



### Features:

- Spacio Plus is a slim design workstation system which allows interiors of office spaces to have a feel of openness
- Its partitions are designed to be slim to make the best use of the available floor space
- It can manage concealed wiring within the partition panels without disturbing the other components of the workstation in doing so
- Interchangeable finishes on the panel tiles adds to uplift the monotony of the office spaces to create more vibrant interiors

## OPOS/Tile Based Systems/**Simple**



### Features:

- Simple is a quick solution to smart looking office furniture
- With a short delivery period, ease of installation and quick setup time, it is the most suited workstation solution specifically for smaller offices
- Simple has all that is required for a user right from white board for quick notes to the all wooden storage which can store stationaries and work files as well as personal daily use things

## OPOS/Tile Based Systems/**Xpress Office**



### Features:

- The new Xpress Office is a quick buy option in office modular workstation furniture which offers a solution for all issues faced to execute office interiors. Xpress Office comes with the options of 4 colour schemes to choose from and with over 100 variants of configuration and size put together
- With all the upholstery and the switch mounting provision coming made in the module from the manufacturing plant itself, its only installation of the modules which will take least time to hand over the ready site to the customer
- With better delivery schedules and faster installation time, it is available in the EDP range of furnitures

## OPOS/Banking Counters/**Frontier**



### Features:

- Frontier is the modular solution of banking and transaction modules
- Being factory finished, it can maintain the same look and feel for the various locations/ branches, thus providing a uniform look and feel to all sites of the organization
- Thoughtful design has been used to ensure complete safety of the user as well as the visitor
- For faster site completion, the modules come in a ready to install format from the manufacturing plant itself thus reducing the site completion timeline
- Modules available for different functions like cashier (7' ht standing interaction counter), executives (sitting interaction counter) and manager modules in the offering
- The system being modular comes along with the added feature of concealed wiring in the panel itself

## OPOS/Tile Based Systems/**Wall Full Height Partitions**



### Features:

- Wall is a partition solution that offers you the perfect answer when you are looking to blend contemporary workspace aesthetics with the comfort of speedy execution
- It is a Gapless modular full height partition system, designed to provide the aesthetic appeal while also catering to the general functional needs of the office users
- Available in an expansive collection of tile finishes and facilitating a variety of functions, wall helps create spaces that are inspirational and enhance productivity
- It provides for writing surfaces, display shelves, provisions for display monitor mounting switch and wire management in panels





OPOS



## Desk Based System

## OPOS/Desk Based System/**Dfine**



### Features:

- Workstation configuration with sliding worktops and sliding monitor holder, enables the modules to be used for collaborative work when required and can be used as individual focused work tables when not in a meeting mode
- With the provision of the meeting pods within the workstation clusters, combined with the possibility of having marker surfaces as well as screen mounting facility
- The Credenza gives ample storage area for an individual's need of files as well as immediate stationery requirements which are inevitable in offices. Storage of CPU or laptop bags need not be thought about separately or added as an afterthought as the Credenza also takes care of these
- Different configurations for team leaders seamlessly gel in with the employee modules catering to horizontal structures, while the cabin configurations provide the private offices needs for vertical structures

## OPOS/Desk Based System/**Reason**



### Features:

- Reason offers benching solutions, return units, sit stand units, overhead storage units and option of height adjustable worktops
- Reason is a global design which is Indian at heart. It combines unique understanding of Indian consumers with global looks
- The sit stand unit in reason provides the space for impromptu meeting which arise in such collaborative work profiles. It is the perfect solution for collaborative workspaces
- Neat and wire clutter-free workspace is an inherent need of any Indian workspace and with the unique solution the wire could be kept out of sight. For higher wire requirements, the cable wall provides ample solution for concealed wire management

## OPOS/Desk Based System/**Linea**



### Features:

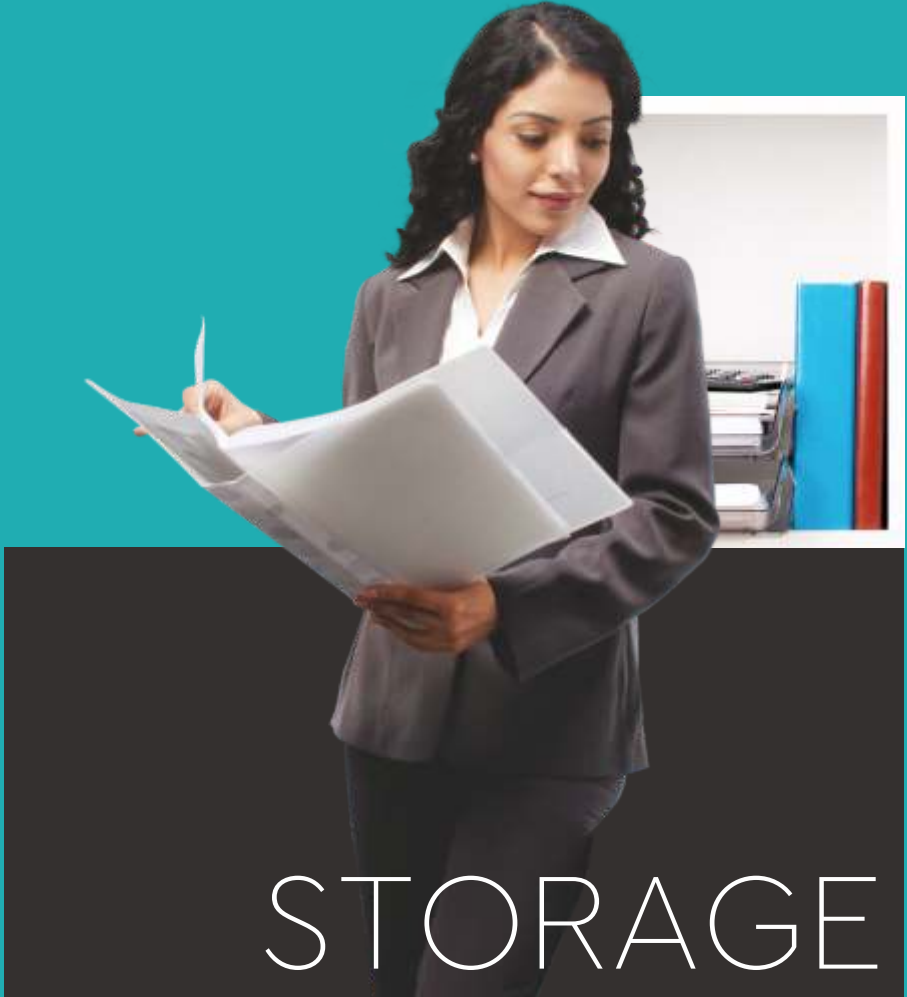
- Linea is a desk-based system designed for simplicity and sleekness
- It is designed such that it looks minimal yet takes care of every little detail
- Its unique floating worktop design makes it stand at par with the international trends. Linea can offer the complete office furniture solution to give the effect of a synchronized workspace with its different modules for different spaces in any office
- Available in a variety of offerings which adapts to all office functions like the conference rooms, meeting rooms, cabins, training rooms and even cafeteria
- With partial or end-to-end screens in single and dual tones with a variety of finishes and an efficient wire management system, Linea can be customised to suit any layout requirements

## OPOS/Desk Based System/**Vurv**



### Features:

- Vurv is a youthful and designer desk-based system designed for agile workspaces
- It has a differentiated design language which makes it different from the run-of-mill product offerings
- Its unique ability to adjust to the agile office space requirements makes it a product for the dynamic changing workplace
- It offers solutions for every office need like conferencing, meeting, training, managers cubicle, cafeteria etc



# STORAGE

## Aisle and Back Storage

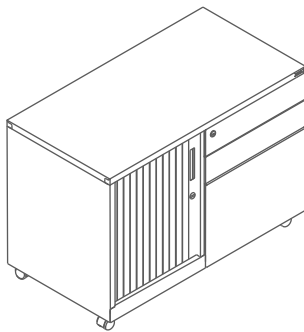
## STORAGE/Aisle and Back Storage/**Mobile Caddy**



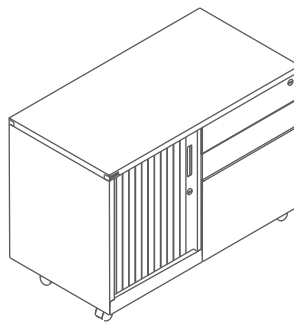
### Features:

- A complete knock-down construction with adjustable shelf, Mobile Caddy can have a TDU+RH Drawer or TDU+LH Drawer configuration as required
- It enables customized arrangements for every work situation, making it ideal for team and project work requirements
- It has lockable casters for outer body and anti-tilt caster for pedestal, ensuring flexibility and overall stability
- Maximizes storage space in user's reach with its full drawer accessibility with one box drawer having removable stationery tray

### Line Diagram



Mobile Caddy LH



Mobile Caddy RH

### Specification

Model	Length	Depth	Height
Caddy	105	47.20	64

All sizes in CM

### Colour Swatch



Bond  
White



Prince  
Grey

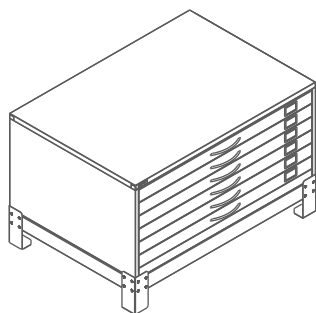
## STORAGE/Aisle and Back Storage/**Horizontal Plan Filing Cabinets (HPFC)**



### Features:

- An ideal architectural storage solution that helps store drawing/plan files laterally
- 6 drawers with ample storage and label holders for each
- Stand with clearance of 125mm facilitates easy floor cleaning
- Complete Knock-down construction with Pop rivets

### Line Diagram



Horizontal Plan File Cabinet

### Specification

Model	Length	Depth	Height
HPFC	137.50	96	85.60

All sizes in CM

### Colour Swatch



Bond  
White



Prince  
Grey



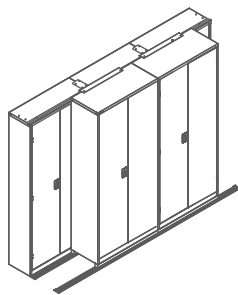
## STORAGE/Aisle and Back Storage/**Lateral Compactors**



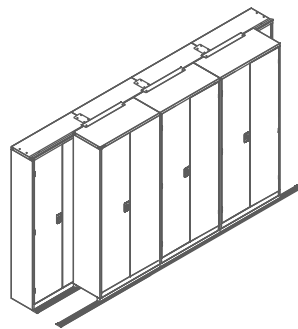
### Features:

- A unique idea for high density storage in offices with limited space
- Unique and innovative fitting style ensures quick access to multiple layers of storage of upto 80 kg per shelf
- Unique channel track design that comes with bottom mounted aluminum rails and anti-tip mechanism that connects both rows on top ensuring safe shelving units
- Since not much of aisle space is required, floor space utilization is maximized
- Complete Knock-down construction with Pop rivets
- Available in 3+2, 4+3, 5+4 configurations in Bond White and Prince Grey

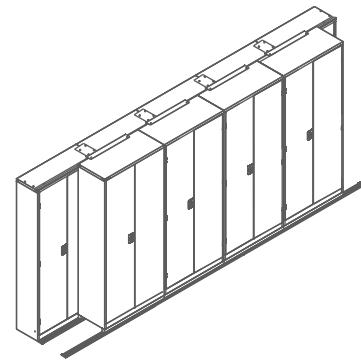
### Line Diagram



Lateral Optimizer <sup>3</sup>/<sub>2</sub>



Lateral Optimizer <sup>4</sup>/<sub>3</sub>



Lateral Optimizer <sup>5</sup>/<sub>4</sub>

### Colour Swatch



Bond  
White



Prince  
Grey

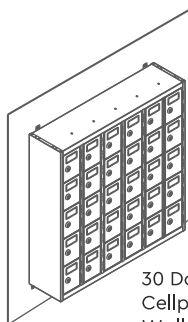
## STORAGE/Aisle and Back Storage/**Cell Phone Lockers**



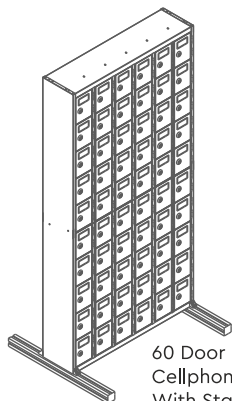
### Features:

- Cell Phone Locker comes in variants of 30-door Wall Mounting and 60-door Wall Mounting/Standalone (with aluminum base) Options
- It is available in a fully assembled construction in Bond White and Prince Grey, with 180 degree door-opening for more convenience
- They are ideal when wall spaces are limited and can be used to store cell phone, wallets and other valuables carried for day-to-day use to schools, health clubs and work

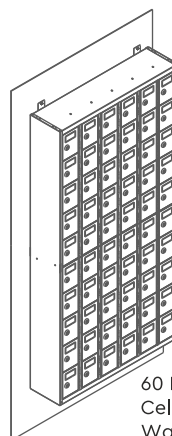
### Line Diagram



30 Door  
Cellphone Locker  
Wall Mounting



60 Door  
Cellphone Locker  
With Stand



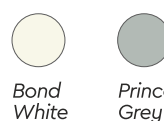
60 Door  
Cellphone Locker  
Wall Mounting

### Specification

Model	Length	Depth	Height
30 Door Locker	90	22.50	93.30
60 Door Locker Wall Mounted	90	22.50	180
60 Door Locker Stand Fixed	94.50	56	184.50

All sizes in CM

### Colour Swatch



Bond  
White

Prince  
Grey

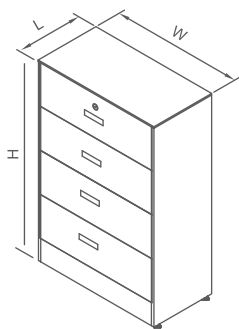
## STORAGE/Aisle and Back Storage/Reserve



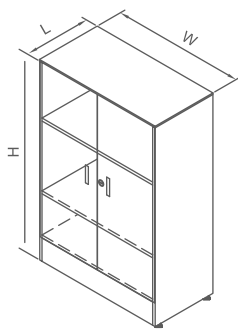
### Features:

- Individual Units - can be used as aisle side storages and back units
- LH and RH Units - For seamless integration of multiple units and to give the combined configuration an elegant
- Shared Units - Used in between end units as required to create optimum storage spaces
- Options of base with Legs are provided to match Wish system and base with Skirting provided for seamless integration with Spacio+ and Stallion+ systems with back panel for mounting

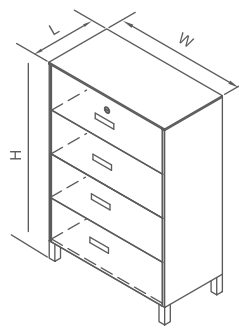
### Line Diagram



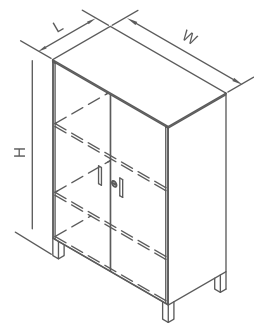
LFC with Skirting



HDU with Skirting



LFC with Legs



HDU with Legs

### Specification

Model	Length	Depth	Height
HDU with Skirting	45/60/65/75/80/ 90/95/100/105/120	46	75/119/134.3
HDU with Legs	45/60/65/75/80/ 90/95/100/105/120	46	75/120/135.30
LFC with Skirting	75/80/90/95/100/105	46	75/119/134.3
LFC with Legs	75/80/90/95/100/105	46	75/120/135.30

All sizes in CM

### Colour Swatch



Bond White  
with Highland  
Pine Top

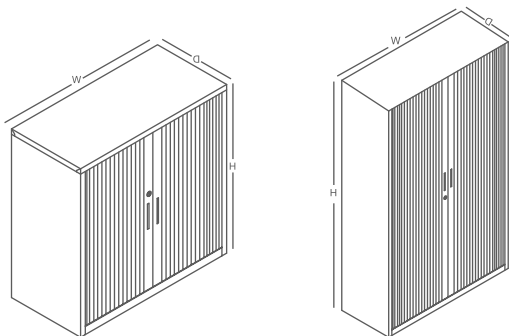
## STORAGE/Aisle and Back Storage/Tambour Door Unit



### Features:

- Doors roll inwards preventing blockage of space while in use
- Translucent double shutters provide aesthetic appeal
- Central locking for safety
- A wide range of accessories for different usage needs

### Line Diagram



### Specification

Model	Length	Depth	Height
TDU	75	47	69
	75	47	116.90
	90	47	69
	90	47	116.90
	90	47	200
	120	47	69
	120	47	116.90
	120	47	200

All sizes in CM

### Colour Swatch



Bond White Body with  
White Translucent Shutters

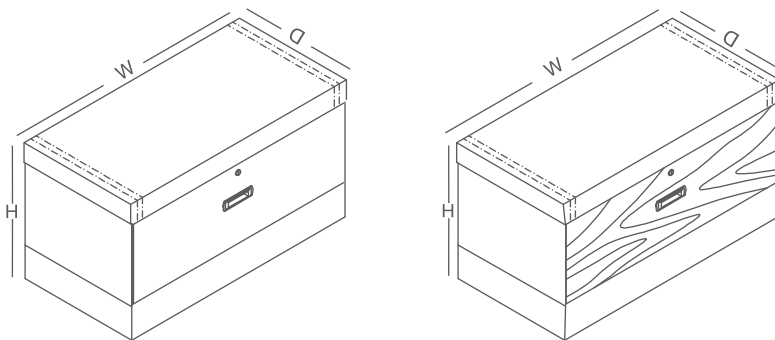
## STORAGE/Aisle and Back Storage/**Cushion LFC and Pedestal**



### Features:

- Smooth drawer movement with precision telescopic slider mechanism
- An anti-rebound mechanism to prevent the drawer from coming out after it is pushed in
- An anti-tipping mechanism that allows only one drawer to be opened at a time to prevent toppling over of the cabinet
- Option of wooden and metal top
- Available in 2, 3 and 4 drawer options
- LFC also available with cushions which can double up as additional seating
- 100% VOC free powder coating

### Line Diagram



### Specification

Model	Length	Depth	Height
Metal & Wooden	75.50	45.50	50.20
Front	90.50	45.50	50.20
	105.50	45.50	50.20

All sizes in CM

### Colour Swatch



*Bond White  
Body & Facia*



*Bond White Body  
& Highland Pine Facia*

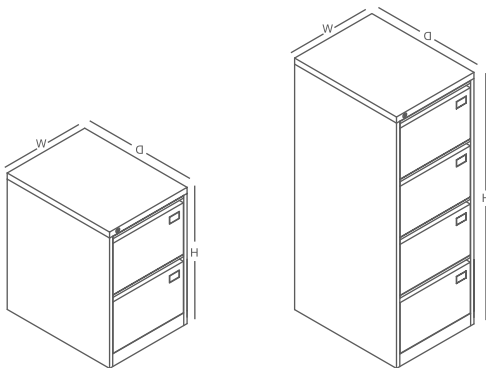
## STORAGE/Aisle and Back Storage/Vertical Filing Cabinet



### Features:

- Smooth drawer movement with precision telescopic slider mechanism
- An anti-rebound mechanism to prevent the drawer from coming out after it is pushed in
- An anti-tipping mechanism that allows only one drawer to be opened at a time to prevent toppling over of the cabinet

### Line Diagram



### Specification

Model	Length	Depth	Height
2 Drawer VFC	47	62	71
4 Drawer VFC	47	62	132

All sizes in CM

### Colour Swatch



Prince  
Grey

Snowbell  
Grey

Bond  
White

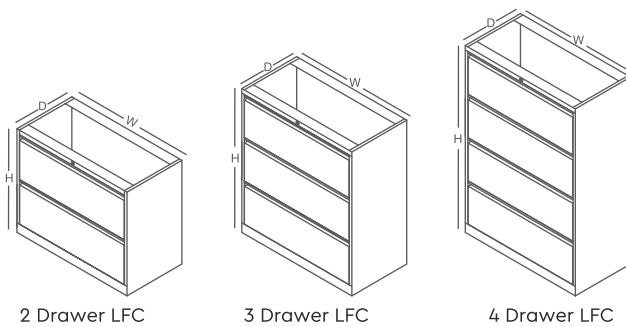
## STORAGE/Aisle and Back Storage/**Lateral Filing Cabinet**



### Features:

- These are ideally suitable for aisle space. It comes with anti-tipping & anti-rebound mechanism to ensure safety of user
- Options of 2, 3 & 4 drawers & availability in different sizes provide ample choice as per requirement
- Its minimalistic & sturdy, enabling easy access to all content/files at one go
- Ease in identification of files with more storage

### Line Diagram

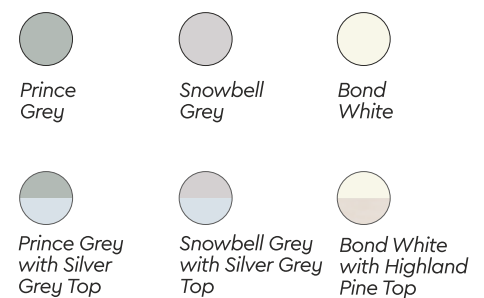


### Specification

Model	Length	Depth	Height
2 Drawer LFC (with Laminate Top)	75	45	712.50
	90	45	712.50
	105	45	712.50
3 Drawer LFC (with Laminate Top)	90	45	1017.50
4 Drawer LFC (with Laminate Top)	90	45	1322.50
2 Drawer LFC (with Metal Top)	75	45	712.50
	90	45	712.50
	105	45	712.50
3 Drawer LFC (with Metal Top)	90	45	1017.50
4 Drawer LFC (with Metal Top)	90	45	1322.50

All sizes in CM

### Colour Swatch



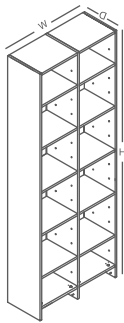
## STORAGE/Aisle and Back Storage/Pigeon Hole



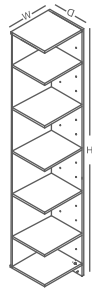
### Features:

- Pigeon Holes helps you organize your storage by compartmentalizing your mails, couriers, parcels etc.
- It is a real boon in the communication room and mail room of schools and offices whether corporate or government

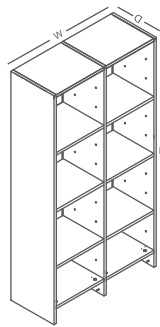
### Line Diagram



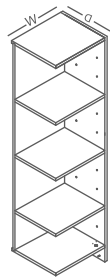
6' Main Module



6' Add-on Unit



4' Main Module



4' Add-on Unit

### Specification

Model	Length	Depth	Height
6 Feet Main	58.20	40	180
6 Feet Add-on	26.40	40	180
Internal Dimensions of 1 Compartment	26.40	40	27
4 Feet Main	58.20	40	120
4 Feet Add-on	26.40	40	120
Internal Dimensions of 1 Compartment	26.40	40	27

All sizes in CM

### Colour Swatch



Modish  
Oak



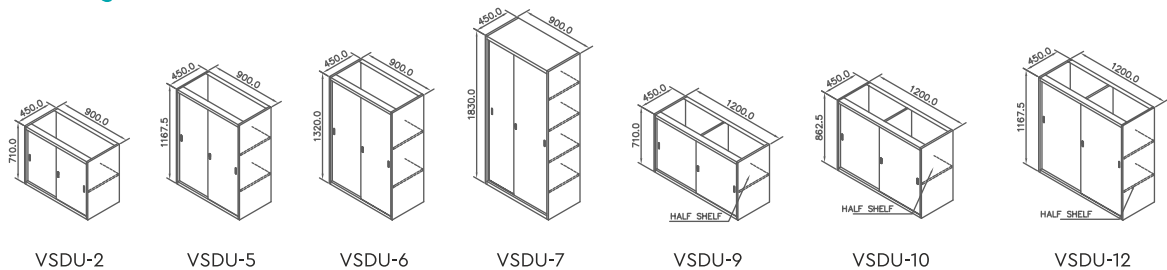
## STORAGE/Aisle and Back Storage/Sliding Door Unit



### Features:

- Sliding door construction saves aisle space - ships knocked down
- Storage flexibility achieved through use of adjustable shelves
- Aesthetically appealing snap-on die-cast lock for security
- Plastic roller with steel ball bearings for smoother door movement
- Option of wooden and metal top for low height units

### Line Diagram



### Specification

Model	Length	Depth	Height
VSDU With Metal Top 2	90	45	71
VSDU With Metal Top 5	90	45	1167.50
VSDU With Metal Top 6	90	45	132
VSDU With Metal Top 7	90	45	183
VSDU With Metal Top 9	120	45	71
VSDU With Metal Top 10	120	45	862.50
VSDU With Metal Top 12	120	45	1167.50
VSDU With Laminate Top 2	90	45	73.50
VSDU With Laminate Top 5	90	45	1192.50
VSDU With Laminate Top 6	90	45	134.50
VSDU With Laminate Top 9	120	45	73.50
VSDU With Laminate Top 10	120	45	887.50
VSDU With Laminate Top 12	120	45	1192.50

All sizes in CM

### Colour Swatch



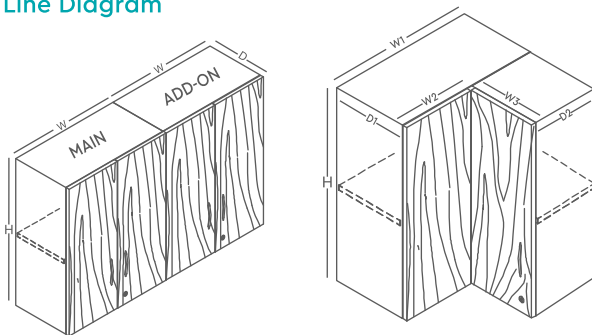
## STORAGE/Aisle and Back Storage/**Store Up**



### Features:

- **OPTIMIZED STORAGE SPACE:** This aesthetically appealing, hassle-free and ergonomically designed storage unit makes optimum utilization of your office storage space and exploits your space's true potential
- **CORNER STORAGE:** Store Up utilizes the corner spaces in your office which doubles your existing storage space and enables optimum utilization of your office's storage space
- **ENDLESS CONFIGURATION :** Store Up can be installed in an unending line up with no limit to the number of main plus add on bodies
- **STURDY UNIT:** Store Up is made of a sturdy metal carcass structure

### Line Diagram



### Specification

Model	Length	Depth	Height
Store Up	30	32.60	78.50
	45	32.60	78.50
	60	32.60	78.50
	80	32.60	78.50
	90	32.60	78.50
W1	60	32.60	78.50
W2	31	-	-
W3	30	-	-

All sizes in CM

### Colour Switch



Bond White



Sesame Beige



Highland Pine



Modish Oak



# STORAGE



## Display Storage

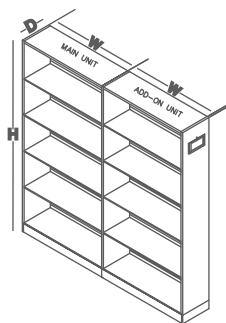
## STORAGE/Display Storage/**Book Rack**



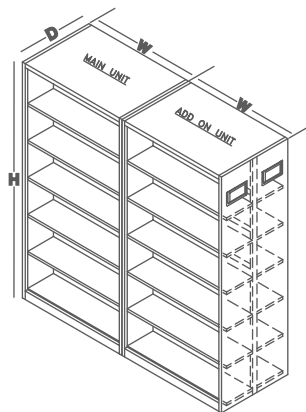
### Features:

- Its efficient & aesthetically appealing in storage of books & other reference material
- The openness of the product makes retrieval easier for the user
- Available in options of both Wood & Steel for the user

### Line Diagram



Single Sided Wood & Steel Book Rack



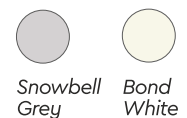
Double Sided All Steel Book Rack

### Specification

Model	Length	Depth	Height
Single Sided Wood & Steel Book Rack	90	30	189
Double Sided Wood & Steel Book Rack	90	59	189
Single Sided All Steel Book Rack	90	31.60	185
Double Sided All Steel Book Rack	90	60	185
Stand for Single-sided Unit (for All Steel Unit only)	90	31.60	12.50
Stand for Double-sided Unit (for All Steel Unit only)	90	60	12.50

All sizes in CM

### Colour Switch



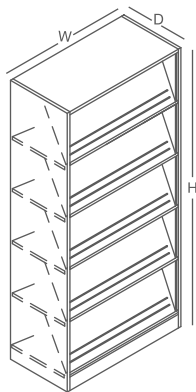
## STORAGE/Display Storage/**Periodical Display Rack**



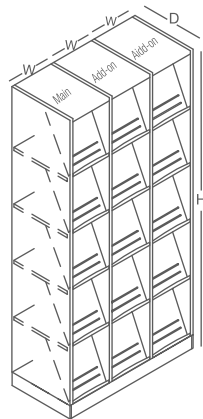
### Features:

- Available in Main and Add on Units with 5 Compartments per Unit. Each compartment is provided with a pivoted inclined retractable tray for display purpose. The compartment behind the tray can be used for storing
- The units are made from prime quality CRCA Steel with Anti-Rust Treatment and PLB Side Panels for stylish appearance and long life

### Line Diagram



All Steel PDR



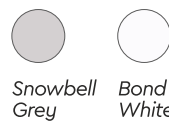
Wood & Steel PDR

### Specification

Model	Length	Depth	Height
All Steel PDR	90	45	183
Wood and Steel PDR	28.80 / 31.30	40	189

All sizes in CM

### Colour Swatch



Snowbell Grey    Bond White

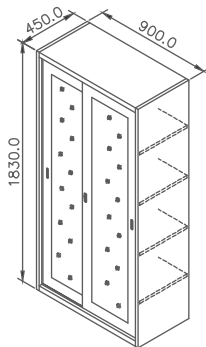
## STORAGE/Display Storage/**Sliding Glass Door Unit**



### Features:

- Sliding door construction saves aisle space - ships knocked down
- Storage flexibility achieved through use of adjustable shelves
- Aesthetically appealing snap-on die-cast lock for security
- Plastic roller with steel ball bearings for smoother door movement
- Glass door SDU available

### Line Diagram



VSDU-8

### Specification

Model	Length	Depth	Height
VSDU With Metal Top 8	90	45	183

All sizes in CM

### Colour Swatch



Prince  
Grey



Snowbell  
Grey



Bond  
White



Sesame  
Beige

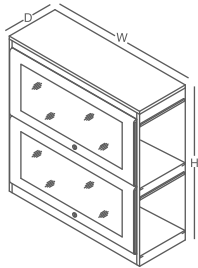
## STORAGE/Display Storage/**Book Case**



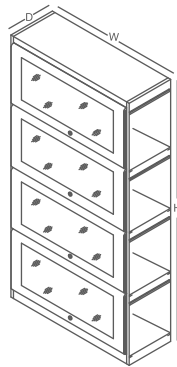
### Features:

- Bookcases that are truly a bookworm's dream come true
- Unmatched utility to store books & records
- Glass door aids quick identification. Available in 2-door & 4-door options

### Line Diagram



2 Door Book Case  
(Laminate Top)



4 Door Book Case

### Specification

Model	Length	Depth	Height
2 Door Book Case (Straight Edge Top) Laminate Top	91.40	30	94
2 Door Book Case (Post Formed Top)	91.40	30	94.70
4 Door Book Case	91.40	30	174.20

All sizes in CM

### Colour Swatch



Prince Grey



Snowbell Grey



Bond White



Prince Grey  
with Silver  
Grey Top



Snowbell Grey  
with Silver Grey  
Top



Bond White  
with Highland  
Pine Top



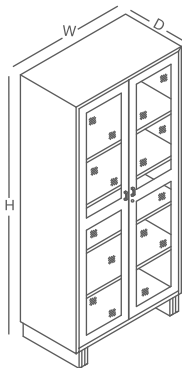
## STORAGE/Display Storage/**Glass Door Storwel**



### Features:

- Saving unit that provides safe and convenient storage of books, admin files, stationery etc.
- Provides maximum storage with 4 adjustable shelves that can store just about anything
- 3 way bolting device and 6 lever lock for safety
- Glass door option

### Line Diagram



### Specification

Model	Length	Depth	Height
Glass Door Storwel	91.60	48.60	198.10

All sizes in CM

### Colour Switch





# STORAGE



## Personal Storage

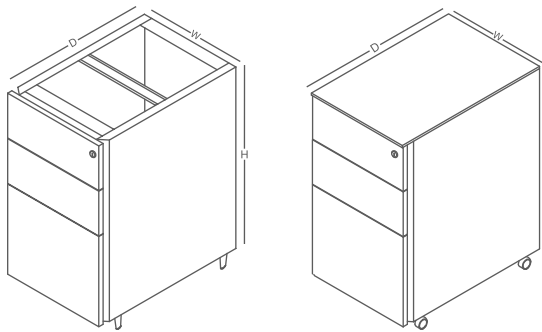
## STORAGE/Personal Storage/**Nova**



### Features:

- An efficient personal storage solution to banish clutter from your work desks
- Available in free standing & top supporting options
- Enhanced with an anti-rebound mechanism to prevent any kind of damages

### Line Diagram

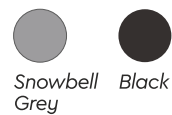


### Specification

Model	Length	Depth	Height
Free standing BBF Pedestal	39	59	64.60
Top Supporting BBF Pedestal	39	43.50	67.40
Free standing BBF Pedestal	39	44	64.60

All sizes in CM

### Colour Swatch

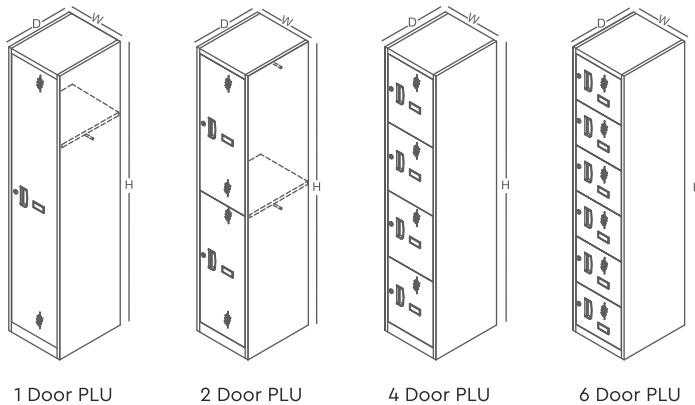


## STORAGE/Personal Storage/**Personal Locker Unit**



- Hanging rods in 1 & 2 Door Locker Models
- Stands are also available in option of 1 Locker, 2 Locker or 3 Locker combination and make cleaning of work area easy
- Label holders are provided for easy identification
- Lockers can be provided with or without lock and can function as stand alone units or as a multi-unit configuration

### Line Diagram



1 Door PLU

2 Door PLU

4 Door PLU

6 Door PLU

### Specification

Model	Length	Depth	Height
1,2,4,6 Door PLU (Main - Add on)	38	45	183
Stand for 1 Locker	38	45	12.50
Stand for 2 Locker	76	45	12.50
Stand for 3 Locker	114	45	12.50

All sizes in CM

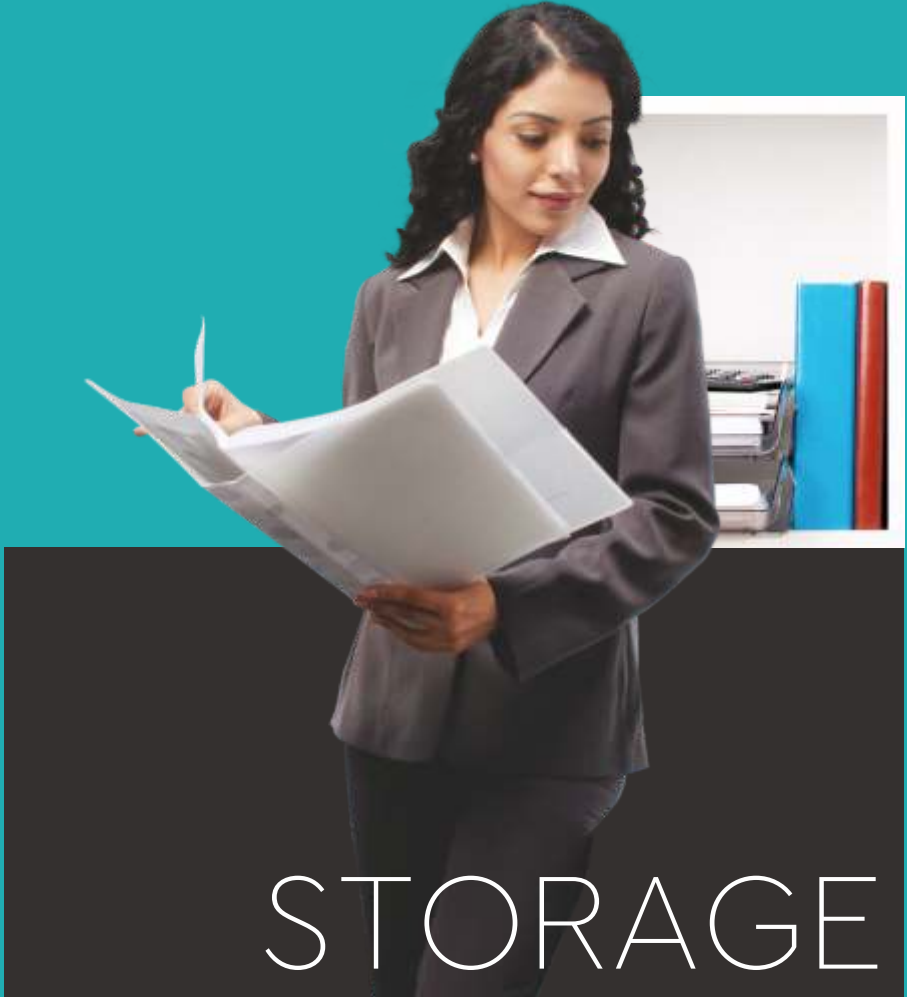
### Colour Swatch



Prince Grey

Snowbell Grey

Bond White



# STORAGE



**Conventional Storage**

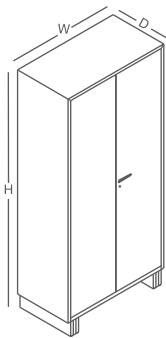
## STORAGE/Conventional Storage/**Storwel Plain**



### Features:

- Saving unit that provides safe and convenient storage of books, admin files, stationery etc.
- Provides maximum storage with 4 adjustable shelves that can store just about anything
- 3 way bolting device and 6 lever lock for safety
- Available in welded construction

### Line Diagram



### Specification

Model	Length	Depth	Height
Storwel Plain	91.60	48.60	198.10

All sizes in CM

### Colour Swatch



Prince  
Grey



Snowbell  
Grey



Bond  
White



Umbertone  
Brown



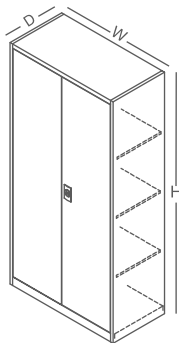
## STORAGE/Conventional Storage/**KD Plain**



### Features:

- Saving unit that provides safe and convenient storage of books, admin files, stationery etc.
- Provides maximum storage with 4 adjustable shelves that can store just about anything
- 3 way bolting device for safety
- Available in knock-down construction

### Line Diagram



### Specification

Model	Length	Depth	Height
KD Plain	90	45	183

All sizes in CM

### Colour Swatch



Prince  
Grey



Snowbell  
Grey



Bond  
White



Umbertone  
Brown

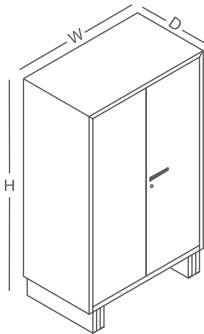
## STORAGE/Conventional Storage/Minor Plain



### Features:

- Saving unit that provides safe and convenient storage of books, admin files, stationery etc.
- Provides maximum storage with 2 adjustable shelves that can store just about anything
- 3 way bolting device and 6 lever lock for safety
- Available in welded construction

### Line Diagram



### Specification

Model	Length	Depth	Height
Minor Plain	76.50	44	127

All sizes in CM

### Colour Swatch



Prince  
Grey



Snowbell  
Grey



Bond  
White



Umbertone  
Brown

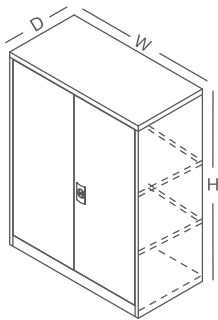
## STORAGE/Conventional Storage/**KD Minor**



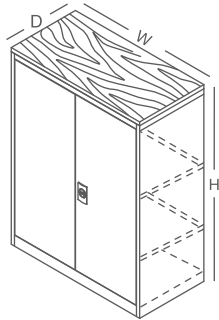
### Features:

- Saving unit that provides safe and convenient storage of books, admin files, stationery etc.
- Provides maximum storage with 2 adjustable shelves that can store just about anything
- 3 way bolting device for safety
- Available in knock-down construction

### Line Diagram



KD Minor (Metal Top)



KD Minor (Laminate Top)

### Specification

Model	Length	Depth	Height
KD Minor with Metal Top	90	45	1168.50
KD Minor with Laminate Top	90	45	1192.50

All sizes in CM

### Colour Swatch



Prince Grey with Silver Grey Top



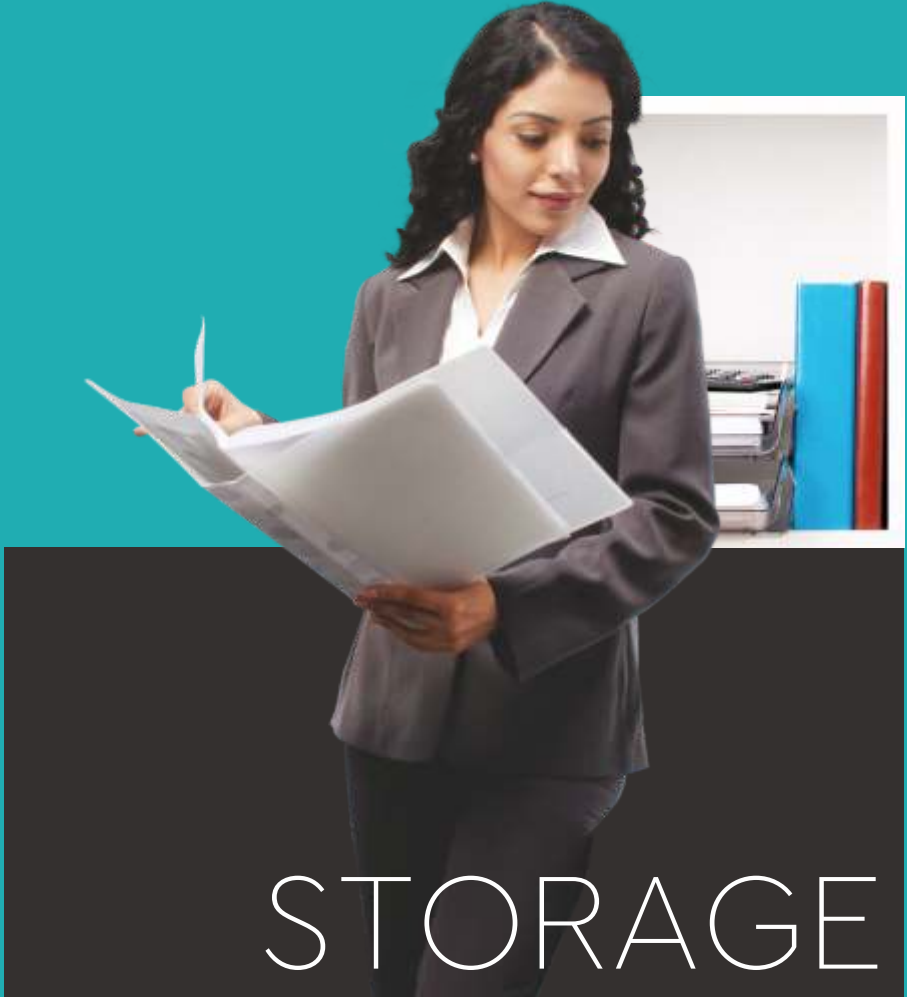
Snowbell Grey with Silver Grey Top



Bond White with Highland Pine Top



Umbertone Brown with Silver Oak Top



# STORAGE



## High Density Storage

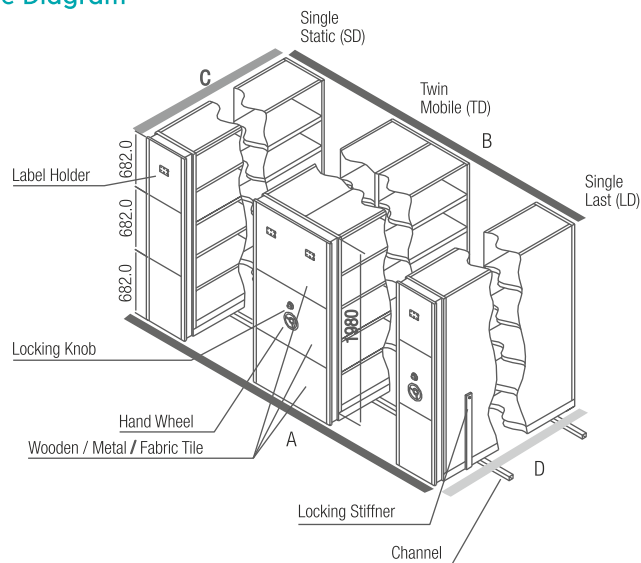
## STORAGE/High Density Storage/**Tile Optimizer**



### Features:

- Designed for long life and easy part replacement
- Uses one common aisle space that optimizes available space
- Channel stoppers prevent derailment
- Label holders with neat transparent acrylic sheets facilitate easy identification
- Locking stiffeners for centralised locking ensures safety of documents
- Rotating lock with easy to identify lock/unlock position ensures safety
- Shims provided below the rails for right levelling
- Available for KD type, 1980 height with 15 & 18 inch depth type

### Line Diagram



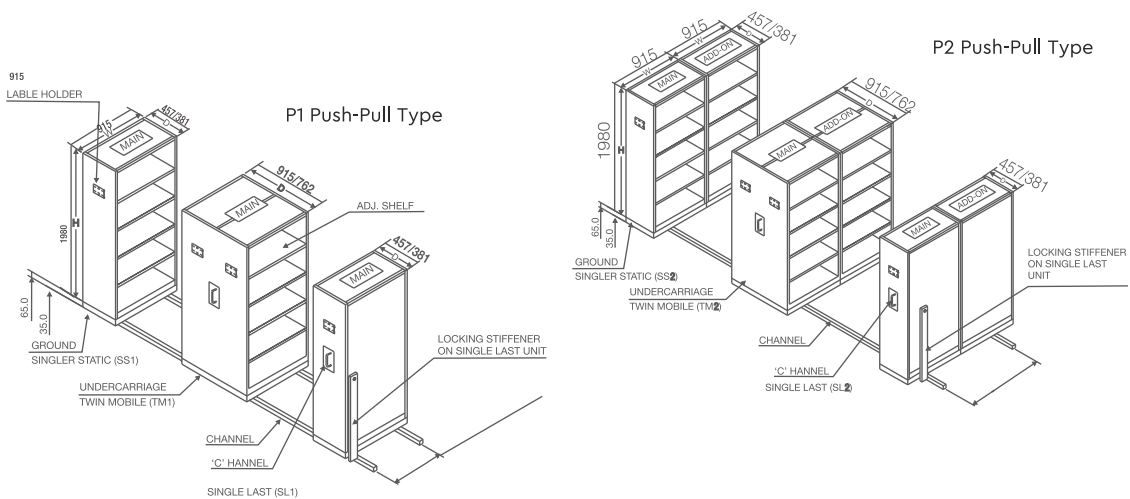
## STORAGE/High Density Storage/**Metal Optimizer**



### Features:

- Designed for long life and easy part replacement
- Uses one common aisle space that optimizes available space
- PU Drive wheel for firm grip and hassle-free mobility
- Channel stoppers prevent derailment
- Label holders with neat transparent acrylic sheets facilitate easy identification
- Locking stiffeners for centralised locking ensures safety of documents
- Rotating lock with easy to identify lock/unlock position ensures safety
- Shims provided below the rails for right levelling
- Available in Drive type and Push-pull type models
- Specialised healthcare accessories available
- 100% VOC free powder coating
- Designed for long life
- 98% recyclable

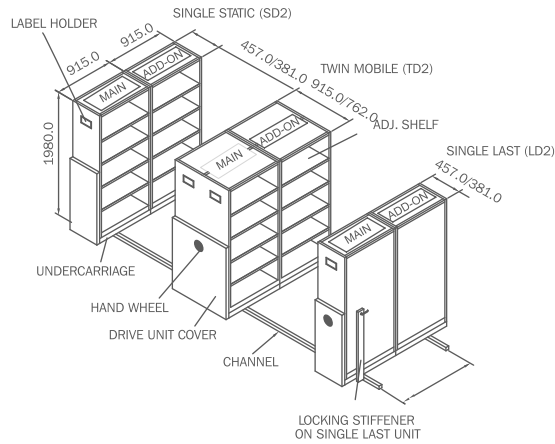
### Line Diagram



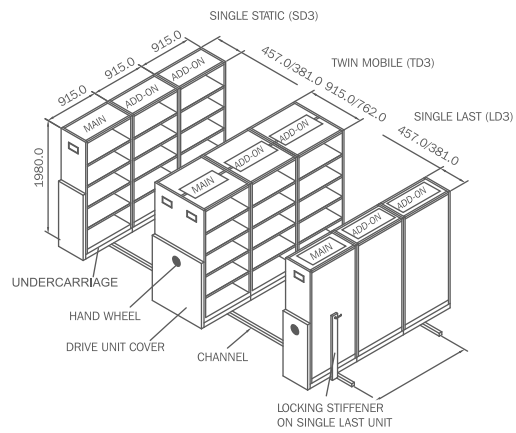
# STORAGE/High Density Storage/Metal Optimizer

## Line Diagram

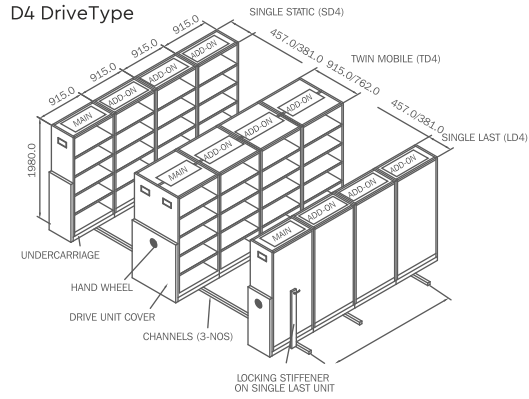
### D2 DriveType



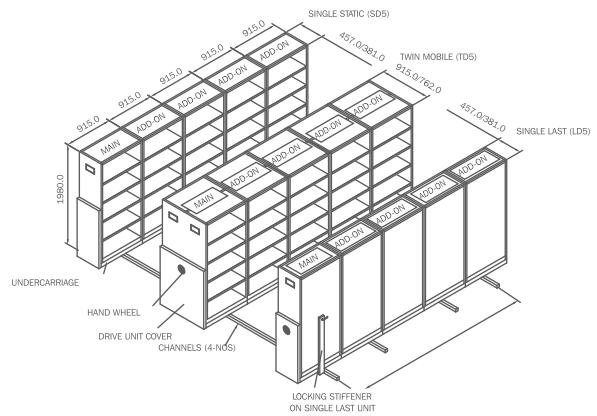
### D3 DriveType



### D4 DriveType



### D5 DriveType



## Colour Switch



Bond White Body  
with Snowbell Grey  
u/s, Locking Stiffener,  
Drive Cover



Sesame Beige Body  
with Umbertone Brown  
u/s, Locking Stiffener,  
Drive Cover





# HEALTHCARE



**Healthcare**

## HEALTHCARE/Chrysalis Neo



### Features:

- Patient transfer becomes effortless with Zero Transfer Gap and drop down side boards having angle indicators
- It has a Retractable Section with auto regression to minimize abdominal pressure
- Single Touch Auto Contour & Cardiac Chair position helps achieve desired position effortlessly
- The bacteriostatic powder coating minimizes bacterial growth which avoids nosocomial diseases
- IEC 60601 - 2 - 52 INTERNATIONAL SAFETY NORMS: Adheres to international entrapment norms

## HEALTHCARE/E-vita



### Features:

- A single-touch Auto-contour position lets E-vita achieve the desired position effortlessly
- The bacteriostatic powder coating minimizes bacterial growth which avoids nosocomial diseases
- Diagonal locking castors offer effortless movement to care givers
- In emergencies, its Emergency Manual CPR helps achieve desired position immediately
- IEC 60601 – 2 – 52 INTERNATIONAL SAFETY NORMS: Adheres to international entrapment norms

## HEALTHCARE/Vita ICU Bed with Sideboards



### Features:

- REMOVABLE HEAD/ FOOT BOARD: Head/ Foot Board are firmly fixed to the bed which are easily removable for access to the patient.
- SLEEK BASE FRAME: Sleek frame with large clear space and high ground clearance with high degree of stability
- 360O SWIVEL SIDEBOARD MECHANISM: Easy to operate side boards with a Self Locking System (SLS) which can rotate upto 180° at a time
- UNCLUTTERED UNDER STRUCTURE: For clean and sleek look with ease of maintenance
- TRENDLENBURG INDICATOR: Trendelenburg operating height indicator marks the correct bed height for adjusting Trendelenburg position

## HEALTHCARE/Vita Lite ICU Bed with Siderails



### Features:

- Bacteriostatic powder coating minimizes bacterial growth which avoids nosocomial diseases
- Adherence to international Entrapment norms with IEC 60601 - 2 - 52 international safety norms
- Diagonal locking castors offer effortless movement to care givers
- Ergonomically designed crank handle for ease of movement to achieve desired position

## HEALTHCARE /Ayush Plus Fowler Bed with Removable Head/ Foot Board



(With PP Head/ Foot Board)



(With SS Plt Head/ Foot Board)

### Features:

- Adherence to international Entrapment norms with IEC 60601 - 2 - 52 international safety norms
- Diagonal locking castors offer effortless movement to care givers
- Ergonomically designed crank handle for ease of movement to achieve desired position
- UNCLUTTERED UNDER STRUCTURE: For clean and sleek look with ease of maintenance

## HEALTHCARE /Ayush Semi Fowler Bed on Castors with Fixed MS Head/ Foot Board



### Features:

- Adherence to international Entrapment norms with IEC 60601 - 2 - 52 international safety norms
- Diagonal locking castors offer effortless movement to care givers
- Ergonomically designed crank handle for ease of movement to achieve desired position
- UNCLUTTERED UNDER STRUCTURE: For clean and sleek look with ease of maintenance

## HEALTHCARE/Ayush Plus Sheet Bed with Removable Head/ Foot Board SS PLT



### Features:

- Sleek & robust construction makes it easy to maintain with maximum comfort

## HEALTHCARE/Ayush Attendant Bed



### Features:

- Sleek & robust construction makes it easy to maintain with maximum comfort to attendant

## HEALTHCARE/Rapid Neo-Emergency Recovery Trolley



### Features:

- X-ray permeable surface with movable cassette holder helps examine patient's entire body
- Hydraulic assisted height adjustment lets care giver easily achieve desired position
- Gas lift assisted TR/ATR position offers caregiver convenience
- Safety Strap ensures the patient's safety during movement
- Unique fail safe mechanism for full proof patient safety

## HEALTHCARE/Elixir OPD Range



### Features:

- Gas lift assisted backrest with upholstered top makes it easy to achieve desired position with maximum comfort to patient
- Sleek understructure requires less space in OPD area
- Concealed BP instrument holder to reduce patient inconvenience during mount/dismount from table
- Anti-skid Foot Step reduces patient skid during mount/dismount and provides a steady step
- Leveling Screw to enhance product stability on uneven floor

## HEALTHCARE/Aptis Locker



### Features:

- Multiple storage with locking option ensures more storage space
- Top with ABS make ensures longer durability
- Front locking castors offer effortless movement to care-givers
- Bacteriostatic powder coating minimizes bacterial growth which avoids nosocomial diseases

## HEALTHCARE/Ayush Locker



### Features:

- Multiple storage with locking option ensures more storage space
- Top with SS 304 make ensures longer durability and prevents corrosion
- Front locking castors offer effortless movement to care-givers



## HEALTHCARE/Adeo Over Bed Table on Gas Lift with Tilting Top



### Features:

- Adjustable Tilting Top offers autonomy to patient during recovery stage
- Scratch-resistant compact laminate top ensures longer durability
- Lockable castors offer effortless movement to care-givers
- Ergonomic under structure is compatible with beds & wheelchairs

## HEALTHCARE/Aptis over Bed Table Height Adjustable



### Features:

- Membrane-pressed MDF Top ensures longer durability
- Lockable castors offer effortless movement to care-givers
- Ergonomic under structure is compatible with beds & wheelchairs

## HEALTHCARE/**Stool**



### Features:

- SS 304 Top ensures longer durability and prevents corrosion
- Height adjustable seat in round stool maximizes attendant comfort

## HEALTHCARE/**Crash Cart**



### Features:

- SS 304-make ensures longer durability and prevents corrosion
- Multi-utility bin & boxes to keep medicines and other medical supplies in organized manner for quick retrieval
- SS make Oxygen cylinder holder on castors helps hold the cylinder and move trolley effortlessly
- Lockable castors offer effortless movement to care-giver

## HEALTHCARE/Infants Crib



### Features:

- Lockable castors offer effortless movement to care-giver
- Ergonomically designed siderails with all sides enclosed for safety and comfort of the new-born
- Sleek & robust construction is easy to maintain with maximum comfort
- Mattress provided as additional accessories

## HEALTHCARE/Pediatric Sheet Bed



### Features:

- Ergonomically designed siderails with all sides enclosed for safety and comfort of the new-born
- Sleek & robust construction is easy to maintain with maximum comfort
- Mattress provided as additional accessories

## HEALTHCARE/**Instrument Trolley Bowl & Bucket**



### Features:

- SS 304 make ensures longer durability and prevents corrosion
- Lockable castors offer effortless movement to care-giver

## HEALTHCARE/**Three-fold Partition Screen**



### Features:

- The screen has a double layer casement fabric for better modesty
- Durable castors offer effortless movement to care-giver

## HEALTHCARE/**Folding Wheelchair with Cushion**



### Features:

- Solid mag wheels with alloy rim for effortless movement
- Foldable cushioned seat of Leatherite
- Swivel type footrest for patient comfort
- Chrome plated MS body for better durability
- Hand Brakes to lock the castors for a steady state
- Safety Strap ensures patient's safety during movement

HEALTHCARE SERVICES



HEALTHCARE SERVICES



HEALTHCARE SERVICES





# CERTIFICATE



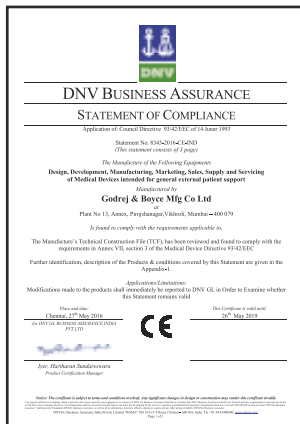
CII DESIGN EXCELLENCE AWARD 2011



INDIA DESIGN MARK 2012



USFDA CERTIFICATE 2015



CE CERTIFICATE



ISO 13485



LAB



**Laboratory**

## LAB/Laboratory/**Aeolus**



### Certifications



EN 14175

### Features:

- **SAFETY:** Safety of the end-users is achieved through superlative fume containment with the help of its intelligently designed 3-stage Assisted Airflow System or 3AAS
- **ERGONOMICS:** Detailed user studies and their behavior and interaction with the fume hoods inside the laboratory have enabled our designers and ergonomists to take user comfort into close account while designing Aeolus
- **ENERGY CONSERVATION:** Features such as Auto Sash, LCV System and VAV Systems help in saving energy, especially in Air-conditioned Labs
- Available in Bench Top, Low Bench and Walkin construction variant

## LAB/Laboratory/**Covalent**



### Certifications



EN 13150

EN 14727

### Features:

- **FLEXIBILITY AND ADJUSTABILITY:** Flexible reagent shelves with height adjustable shelf mounts
- **FLEXIBLE CONFIGURATION:** Differential height worktop allows flexibility to suit various height requirements
- **HYGIENE AND SAFETY:** Sink area with water splash guard to avoid splashes and spillage  
Elevated cabinets for easy access, plenty of legroom and space
- **MAXIMIZED STORAGE UTILITY:** Optional cabinets for added utility (suspended, mobile or sliding)
- **EASE OF MAINTENANCE:** Access panel for hassle-free and easy maintenance
- Completely concealed service line provision

## LAB/Laboratory/**Fusion**



### Certifications



EN 14727

### Features:

- Storage based system
- Height adjustable reagent shelves with variety in shelf top
- Access panel for hassle-free and easy maintenance
- Completely conceals service lines
- CRCA Mild Steel with Zinc Phosphating and pure epoxy coating for corrosion resistance

## LAB/Laboratory/**Resilience**



### Features:

- Resilience cabinets are used to store highly corrosive acids
- Resilience cabinets are made completely from Polypropylene (PP) with no exposed metal parts or hardware and hence are corrosion resistant
- The PP shelves are in the form of Collection trays that can be removed easily and can be height-adjusted as per the end-user's requirement
- The cabinet is equipped with an air duct to effectively extract fumes and louvers have been provided in front doors of the cabinet to allow fresh air in
- The tray-type shelves are leak-proof and contain the complete spillage, with each tray capable of taking 30 kg UDL



# INTERIORS

**Interiors**

INTERIORS





INTERIORS



VECTOR CONSULTING GROUP/Thane



VECTOR CONSULTING GROUP/Thane



VECTOR CONSULTING GROUP/Thane

INTERIORS



HITACHI HOMES AND LIFESTYLE



MMRDA

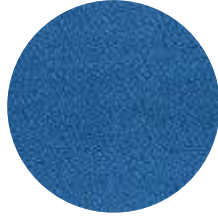
INTERIORS



COLOUR SWATCH/Voila Range



V01\_Spring\_Grass



V02\_Nilgiri\_Blue



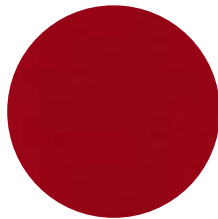
V03\_Smokey\_Grey



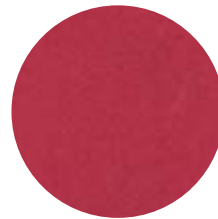
V04\_Grape\_Riot



V05\_Carbon\_Black



V06\_Sahara\_Sunset



V07\_Wild\_Flamingo



V08\_Earth\_Songgg



V09\_Bay\_Blue



V10\_Mushroom



V11\_Copper\_Moon



V12\_Platinum\_Blue



V13\_Milan\_Red



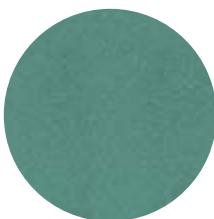
V14\_Chocolate



V15\_Orange\_Frost



V16\_Jungle



V17\_Mint\_Ice

**Godrej interio®**

AVAILABLE IN OVER 600 LOCATIONS ACROSS INDIA  
Put some play into your work by visiting  
[godrejinterio.com](http://godrejinterio.com)

 **Talk Green.  
Walk Green.**

An initiative by Godrej Interio, the first Indian furniture company with **GREENGUARD** certified products

MODULAR FURNITURE • DESKING • SEATING • STORAGE • INTERIORS • LAB • MARINE • HEALTHCARE • HOME

**Local Address**



**National**

North: Delhi, Chandigarh, NCR, Lucknow  
South: Chennai, Bengaluru, Hyderabad, Kochi  
West: Mumbai, Ahmedabad, Bhopal, Pune  
East: Kolkata, Bhubaneswar, Guwahati, Patna

*In keeping with the Godrej policy of continuous development and improvement, the design, dimension and specification may be updated without prior notice or obligations. Form, Colour and Finish of product in this document are representative of design intent and may vary from actual. Colour options depicted in this catalogue are as close to what modern printing processes allow. All dimensions are in 'cm' and are subject to commercial tolerance. Our products are meant for indoor use only.*

**Godrej & Boyce Mfg. Co. Ltd.**

Godrej Interio, Pirojshanagar, Vikhroli (W), Mumbai - 400 079.  
Toll Free Number: 1800-267-1122. Fax: +91-22-6796 1503  
Email: [interiooffice@godrej.com](mailto:interiooffice@godrej.com)  
Website: [www.godrejinterio.com](http://www.godrejinterio.com)

**Follow us on**

 /godrejinterio

 /godrej-interio

 /godrejinterio

 /godrejinterio4u